

# PORTA SOLAR MOBILE PORTABLE POLE



The SUPER EMPOWER® Solar Mobile Portable Pole provide bright, energy-efficient lighting solutions. Powered by free renewable energy from the sun, in conjunction with heavy-duty LED light fixtures, it can be used in moderate to heavy lighting applications where a diesel, gas, or electric generator-powered light tower.



**“WE EMPOWER WATT MATTERS”**

OUR  
BRANDS



hello@super-empower.com



(510)891-1056



super-empower.com

Copyright©2018–2025 SOLTECH LLC,  
All Rights Reserved.



## PORTA Solar Mobile Portable Pole

CATALOG		COMMENTS
PROJECT		
PREPARED BY		
DATE		

### ABOUT OUR TOWERS

Solar Mobile Portable Pole PORTA has the most convenient plug and play design for clients who are searching for temporary lighting solution. For this reason, users can easily transfer it from place to place and set it up quickly. Because PORTA can work with many different SOLTECH solar fixtures, users do not need to do trenching and wiring which can save a lot of cost for them. PORTA has two pole heights and two base weights for client to choose. At the same time, client can choose different fixture options to fit their lighting needs.





## PORTA Solar Mobile Portable Pole

### FEATURES

- S Plug and play design for quick setup**
- S Zero Emission with no fuel and electricity bills**
- S Low maintenance with no engine or alternator**
- S Dusk to Dawn functions via photocell**
- S Dimmable LED lights can be individually aimed at different angles**
- S 200Lumen/W, up to 3,000 lumens**
- S 70-150lb Weighted Base**
- S Made in the USA from 100% post-consumer recycled rubber and plastic makes our bases the most durable, attractive, and eco-friendly base on the market.**



Access our website by scanning our QR code

CATALOG		COMMENTS
PROJECT		
PREPARED BY		
DATE		

### APPLICATIONS



#### CONSTRUCTIONS:

Our silent, zero-emission, off-grid portable solar light tower is revolutionizing the construction industry. It illuminates your workplace and provides security with no fuel.



#### DISASTER RELIEF:

Whenever disasters occur, the ability to quickly source emergency light is critical to save lives and minimize damage.



#### TRAFFIC:

These high-intensity, vehicle-mounted telescoping light towers provide the illumination needed to complete nighttime rescue, disaster, or investigative operations safely.



#### MINING:

Light towers are a vital 'backbone' piece of equipment in mining scenarios.



#### EVENTS:

It has never been easier to stage an event than with the help of light towers to provide security and illumination.



#### UTILITIES:

Utility organizations can use Solar Light Towers for multiple purposes with no fuel.



## PORTA Solar Mobile Portable Pole

CATALOG		COMMENTS
PROJECT		
PREPARED BY		
DATE		

### SPECIFICATIONS

#### GENERAL

MODEL	PORTA
POLE HEIGHT OPTIONS	5ft   8ft (Without Luminaire)
BASE WEIGHT OPTIONS	72lbs / 150lbs
CASTING	Aluminum and Rubber
BASE DIMENSIONS	72lbs: 18 X 18 X 14 In   150lbs: 23 X 23 X 18 In
POLE PROFILE	Round
POLE SECTIONS	1

#### SUNLIKE FIXTURE

SPECIFICATION	SUNLIKE 8W   SUNLIKE 20W   SUNLIKE 30W
LED NOMINAL POWER	8W   20W   30W
SOLAR PANEL	18V 17W   18V 36W   18V 52W
BATTERY	115WH 12.8V 9AH   256WH 12.8V 20AH   384WH 12.8V 30AH
WEIGHT	11.7 lbs   21.4 lbs   229.8 lbs
LUMEN OUTPUT@5000K	1,600LM   4,000LM   6,000LM
CRI	> 70
LED CHIP	Lumileds 5050 (215lm-CR>70)
WATERPROOF RATE	IP65
CASTING	Aluminum
EFFICIENCY@5000K	200 lm/W
* CHARGING TIME	7 Hrs
RUN TIME(@FULL POWER)	10 Hrs
OPERATION MODE	Remote control and One-key Setting
* OPERATING TEMPERATURE	0°C/32°F to 140°F   -30°C/-22°F to 140°F
* CHARGING TEMPERATURE	0°C/32°F to 140°F   -30°C/-22°F to 140°F



## PORTA Solar Mobile Portable Pole

CATALOG		COMMENTS
PROJECT		
PREPARED BY		
DATE		

### FLUX FIXTURE

SPECIFICATION	FLUX 6W   FLUX 20W
LED NOMINAL POWER	6W   20W
SOLAR PANEL	10V 10W   10V 20W
BATTERY	6.4V
LUMEN OUTPUT@5000K	1,020LM   3,400LM
CRI	> 70
CASTING	Aluminum & PC
WATERPROOF RATE	IP65
EFFICIENCY@4000K	170 lm/W
* CHARGING TIME	6 Hrs
RUN TIME(@FULL POWER)	5-7 Rainy Days
OPERATION MODE	7 Operating Modes
* OPERATING TEMPERATURE	0°C/32°F to 140°F
* CHARGING TEMPERATURE	0°C/32°F to 140°F
BEAM SPREAD	>130°, NEMA type 7 Very Wide
CABLE LENGTH	16.5 ft

\* The temperature can impact the battery's charging and normal operation. If your place's temperature is under 32°F, we advise you to use the SUNLIKE PRO version to achieve better lighting results.

\* The solar charge time data is based on 77 degree F ambient temperature with the panel pointed directly at the solar radiation. The standard radiation value is 1000W/m².



# PORTA Solar Mobile Portable Pole

CATALOG		COMMENTS
PROJECT		
PREPARED BY		
DATE		

## PRODUCT NUMBER BUILDER

BASE	POLE	FIXTURE
------	------	---------

**STLPORBA72**=PORTA  
72lbs Rubber Base

**STLPORBA150**=PORTA  
150lbs Rubber Base

**STLPORPL5**=PORTA  
5ft Aluminum Pole

**STLPORPL8**=PORTA  
8ft Aluminum Pole

**STLFLX204PMGY**=FLUX 20W

**STLSTC08T35SFGY**=SUNLIKE 8W

**STLSTC020T35SFGY**=SUNLIKE 20W

**STLSTC030T35SFGY**=SUNLIKE 30W

-  -

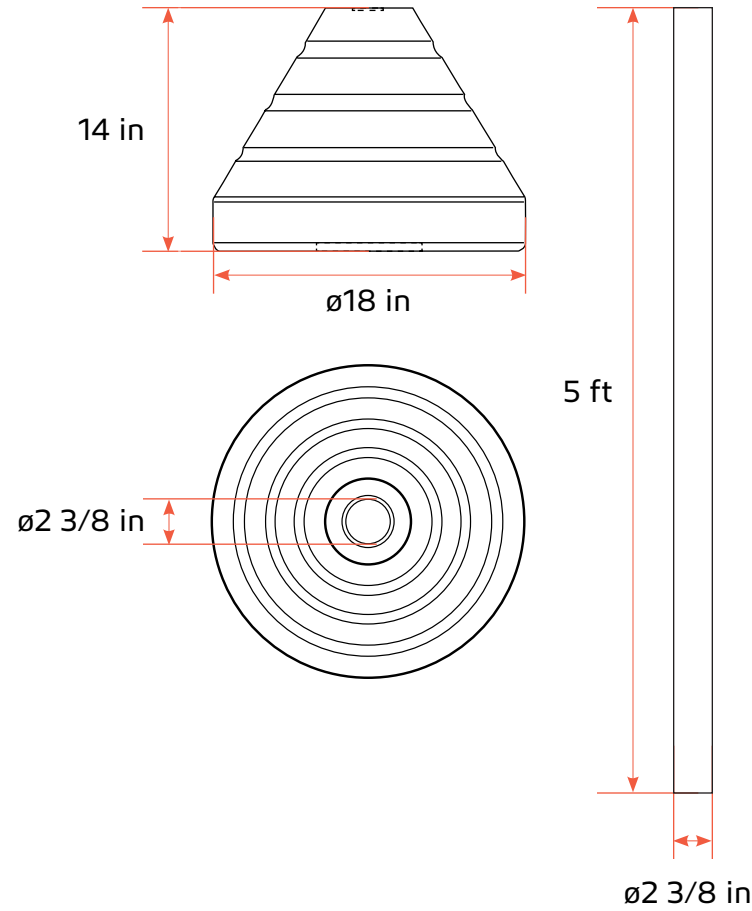


# PORTA Solar Mobile Portable Pole

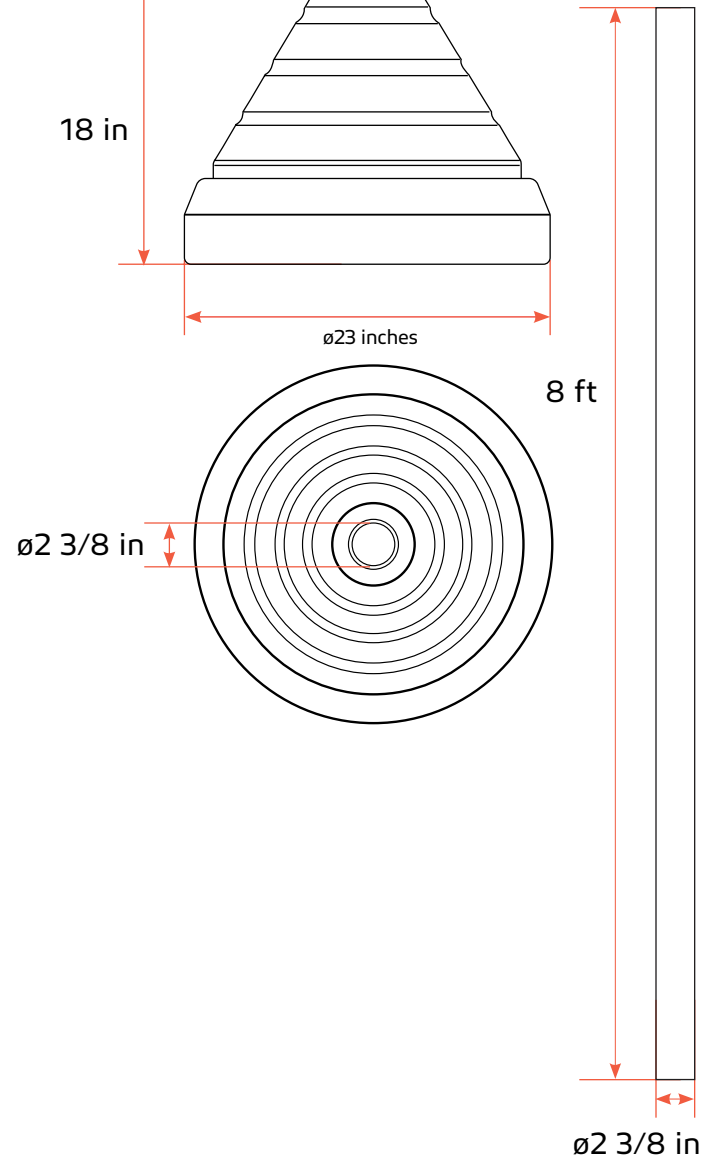
CATALOG		COMMENTS
PROJECT		
PREPARED BY		
DATE		

## PRODUCT SIZE

72lbs



150lbs



All measurements are approximate and for estimation purposes only.

SUPER EMPOWER reserves the right to update all product data sheets at any time. Consult SUPER EMPOWER marketing specialists for publication updates at [hello@super-empower.com](mailto:hello@super-empower.com)

### "WE EMPOWER WATT MATTERS"

OUR BRANDS



- hello@super-empower.com
- (510)891-1056
- super-empower.com



Access our website by scanning our QR code

Copyright©2018-2025 SOLTECH LLC, All Rights Reserved.