

# Plug and Play Design The Most Convenient Solution For Temporary Outdoor Lighting



## PORTA Solar Mobile Portable Pole

PORTA Solar Mobile Portable Pole has the most convenient plug and play design for clients who are searching for temporary lighting solution. For this reason, users can easily transfer it from place to place and set it up quickly. Because PORTA can work with many different SOLTECH solar fixtures, users do not need to do trenching and wiring which can save a lot of cost for them. PORTA has two pole heights and two base weights for client to choose. At the same time, client can choose different fixture options to fit their lighting needs.

For more information, please visit our website:  
[www.super-empower.com](http://www.super-empower.com)



"WE EMPOWER WATT MATTERS"





# ABOUT OUR PORTA

PORTA Mobile Solar Portable Pole

## PLUG AND PLAY DESIGN THE MOST CONVENIENT SOLUTION FOR TEMPORARY OUTDOOR LIGHTING

Solar Mobile Portable Pole PORTA has the most convenient plug and play design for clients who are searching for temporary lighting solution. For this reason, users can easily transfer it from place to place and set it up quickly.



### Multiple Lighting Options

- PortaPole offers a safe yet inexpensive solution for illuminating roads and pedestrian pathways during nighttime.
- Durable and sleek, this portable lighting solution is compatible with SOLTECH's FLUX, SUNLIKE, solar lights to illuminate the dark corners around you.



### Heavy Duty Construction

- Durable pole bases that are aerodynamic and heavy enough to stay upright, yet light enough to be tipped and rolled to another location.
- Round plastic post with safety yellow cap, 5 and 8 foot posts available
- Autonomous operation from dusk to dawn



### Easy Deploy & Move

- Durable Design: 70-150lb Weighted Base
- No Assembly Required
- Rapid Deploy Setup



### Clean, Quiet & Environmental Friendly

- Made in the USA from 100% post-consumer recycled rubber and plastic makes our bases the most durable, attractive, and eco-friendly base on the market.



### Greater Cost Savings

- Eliminates trenching, cabling, electricity, and diesel fuel costs.



# PORTA SOLAR MOBILE PORTABLE POLE

UP 6,000 Lumen



SUNLIKE 8W | 20W | 30W



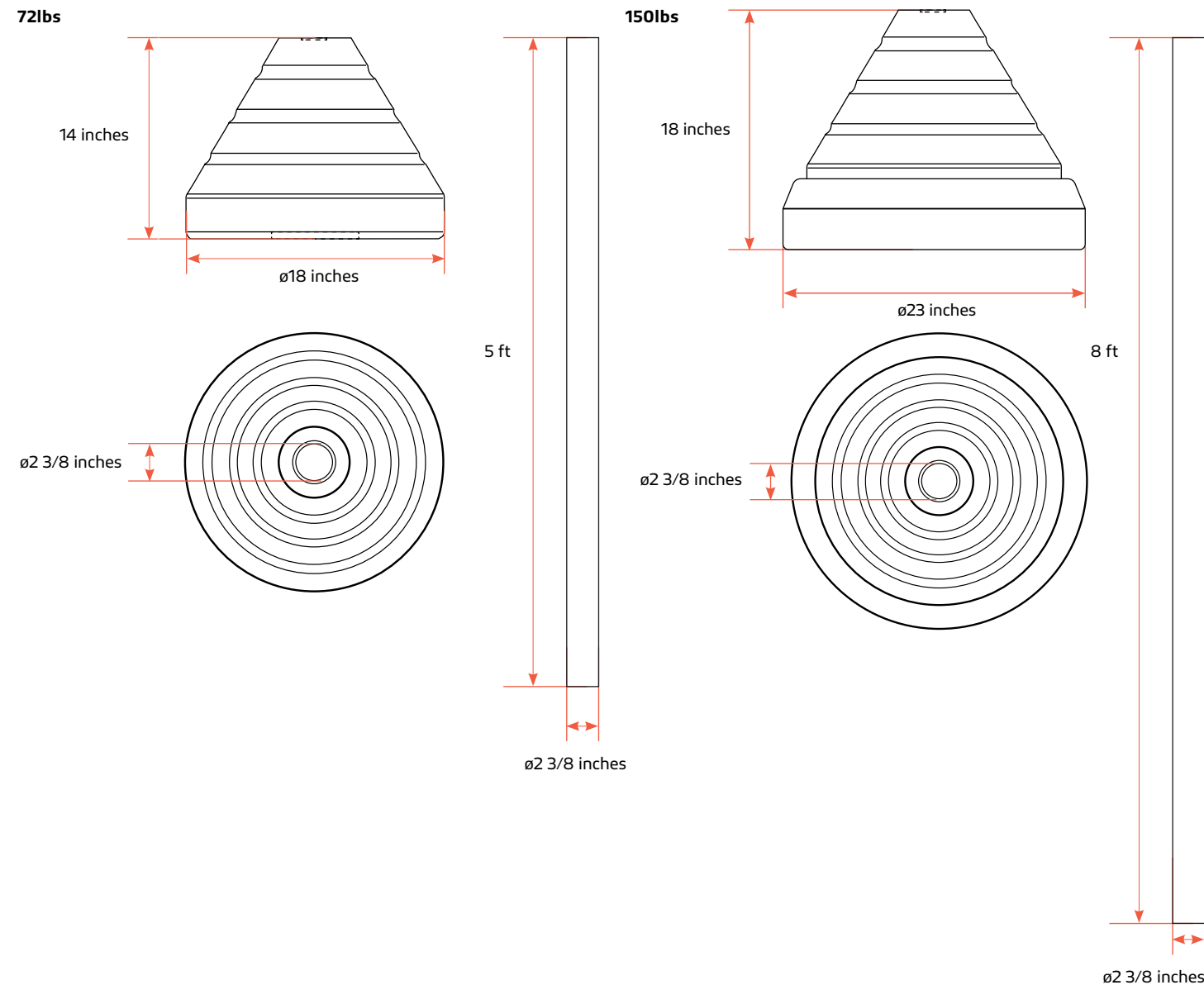
FLUX 6W | 20W

## QUICK DEPLOYMENT



# DIMENSIONAL DRAWINGS

## PORTA Solar Mobile Portable Pole



### Porta-Pole Disclaimer

PORTA-Pole is specified to be compatible with SOLTECH-approved light fixtures included in this spec sheet. It is strongly recommended NOT to substitute lights to maintain EPA integrity.

# SPECIFICATIONS & PERFORMANCE

## PORTA Solar Mobile Portable Pole

<b>SPECIFICATIONS</b>	<b>PORTA</b>	
<b>POLE HEIGHT OPTIONS</b>	5ft / 8ft (Without Luminaire)	
<b>BASE WEIGHT OPTIONS</b>	72lbs / 150lbs	
<b>CASTING</b>	PVC and Rubber	
<b>BASE DIMENSIONS</b>	72lbs: 18 X 18 X 14 In	150lbs: 23 X 23 X 18 In
<b>POLE PROFILE</b>	Round	
<b>POLE SECTIONS</b>	1	

# PRODUCT NUMBER BUILDER

Example: **STLPORBA72STLPORPL5STLSFL104WMBK**

This means the customer wants a Solar Mobile Portable Pole PORTA with 72lbs Rubber Base, 5ft Pole Height and SOLPAD 10W Fixture.

BASE	POLE	FIXTURE
<b>STLPORBA72=PORTA</b> 72lbs Rubber Base	<b>STLPORPL5=PORTA</b> 5ft Aluminum Pole	<b>STLFLX204PMGY=FLUX 20W</b>
<b>STLPORBA150=PORTA</b> 150lbs Rubber Base	<b>STLPORPL8=PORTA</b> 8ft Aluminum Pole	<b>STLSTC08T35SFGY=SUNLIKE 8W</b>
		<b>STLSTC020T35SFGY=SUNLIKE 20W</b>
		<b>STLSTC030T35SFGY=SUNLIKE 30W</b>

-

-

**DO NOT** send the sample number directly to our salesperson. Use the information in the chart above to create a model number with the correct series, wattage, temperature, mounting option, and finish for the product that you want.

# LUMINAIRE SPECIFICATIONS

## PORTA Solar Mobile Portable Pole

SPECIFICATIONS	SUNLIKE 8W	SUNLIKE 20W	SUNLIKE 30W
LED NOMINAL POWER	8	20	30
SOLAR PANEL	18V 17W	18V 36W	18V 52W
LIFEPO <sub>4</sub> BATTERY	115WH 12.8V 9AH	256WH 12.8V 20AH	384WH 12.8V 30AH
WEIGHT	11.7 Lbs	21.4 lbs	29.8 lbs
LUMEN OUTPUT	1,600@5000K	4,000@5000K	6,000@5000K
IP RATING	IP65	IP65	IP65
CRI	CRI > 70	CRI > 70	CRI > 70
CASTING	ALUMINUM	ALUMINUM	ALUMINUM
EFFICIENCY	200 LM/W@5,000K	200 LM/W@5,000K	200 LM/W@5,000K
LED CHIP	Lumileds 5050 (215 LM-CR>70)	Lumileds 5050 (215 LM-CR>70)	Lumileds 5050 (215 LM-CR>70)
* CHARGING TIME	7 Hrs	7 Hrs	7 Hrs
RUN TIME (@FULL POWER)	10 Hrs	10 Hrs	10 Hrs
OPERATION MODE	REMOTE CONTROL AND ONE-KEY SETTING	REMOTE CONTROL AND ONE-KEY SETTING	REMOTE CONTROL AND ONE-KEY SETTING
* OPERATING TEMPERATURE	0°C/32°F to 140°F	0°C/32°F to 140°F	0°C/32°F to 140°F
* CHARGING TEMPERATURE	0°C/32°F to 140°F	0°C/32°F to 140°F	0°C/32°F to 140°F

### Porta-Pole Disclaimer

PORTA-Pole is specified to be compatible with SOLTECH-approved light fixtures included in this spec sheet. It is strongly recommended NOT to substitute lights to maintain EPA integrity.

FLUX 6W	FLUX 20W
6	20
10V 10W	10V 20W
6.4V	6.4V
/	/
1,020@4,000K	3,400@4,000K
IP66	IP66
CRI > 70	CRI > 70
ALUMINUM & PC	ALUMINUM & PC
170 LM/W@4,000K	170 LM/W@4,000K
/	/
6 Hrs	6 Hrs
5-7 Rainy Days	5-7 Rainy Days
7 Operating Modes	7 Operating Modes
0°C/32°F to 140°F	0°C/32°F to 140°F
0°C/32°F to 140°F	0°C/32°F to 140°F
BEAM SPREAD	BEAM SPREAD
>130°, NEMA type 7 Very Wide	>130°, NEMA type 7 Very Wide
CABLE LENGTH	CABLE LENGTH
16.5 ft	16.5 ft

\* The temperature can impact the battery's charging and normal operation. If your site's temperature is under 32°F, we advise you to use the SUNLIKE PRO model to achieve better lighting results.

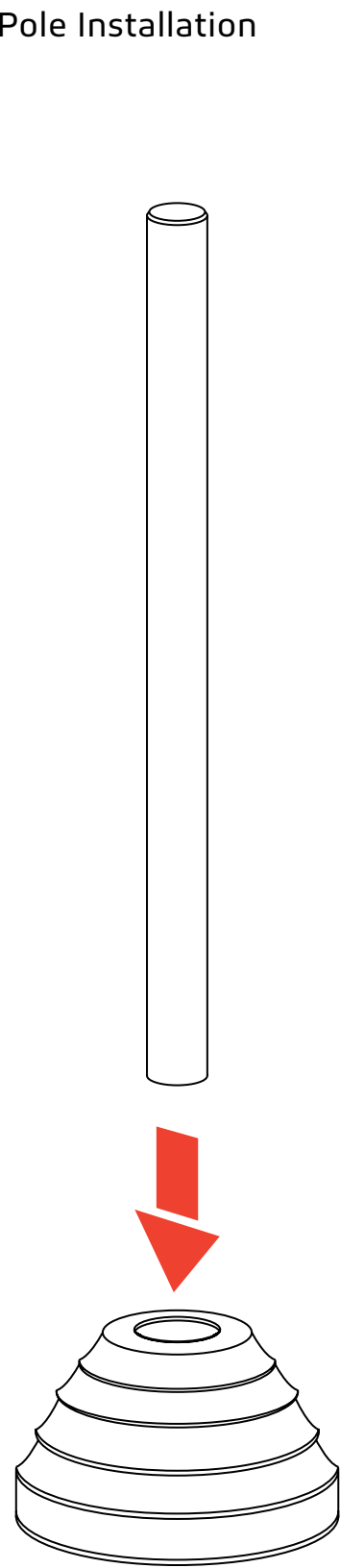
\* The solar charge time data is based on 77 degree F ambient temperature with the panel pointed directly at the solar radiation. The standard radiation value is 1000W/m².

# MOUNTING ACCESSORIES

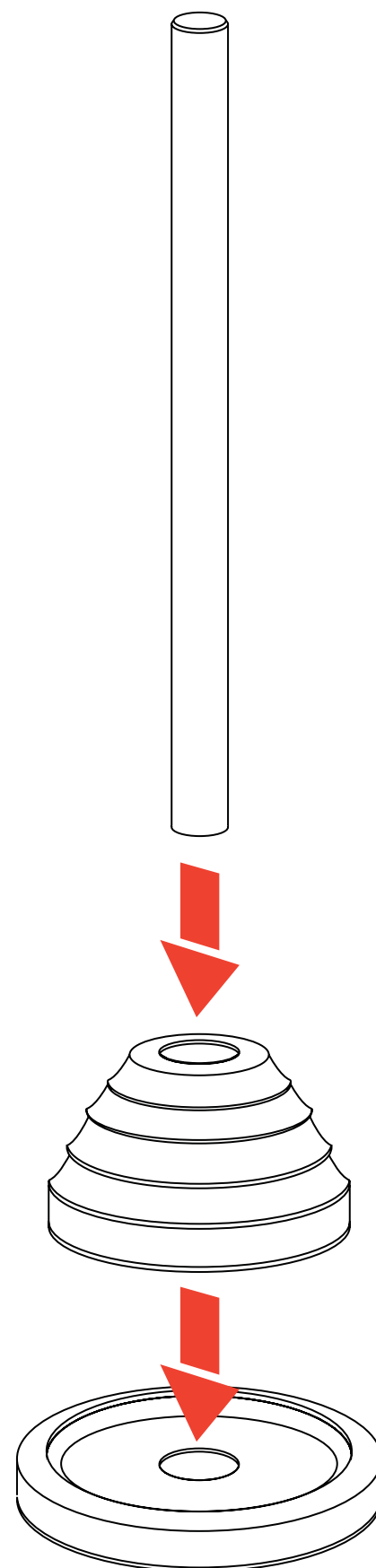
PORTA Solar Mobile Portable Pole

## 01. Porta Pole Installation

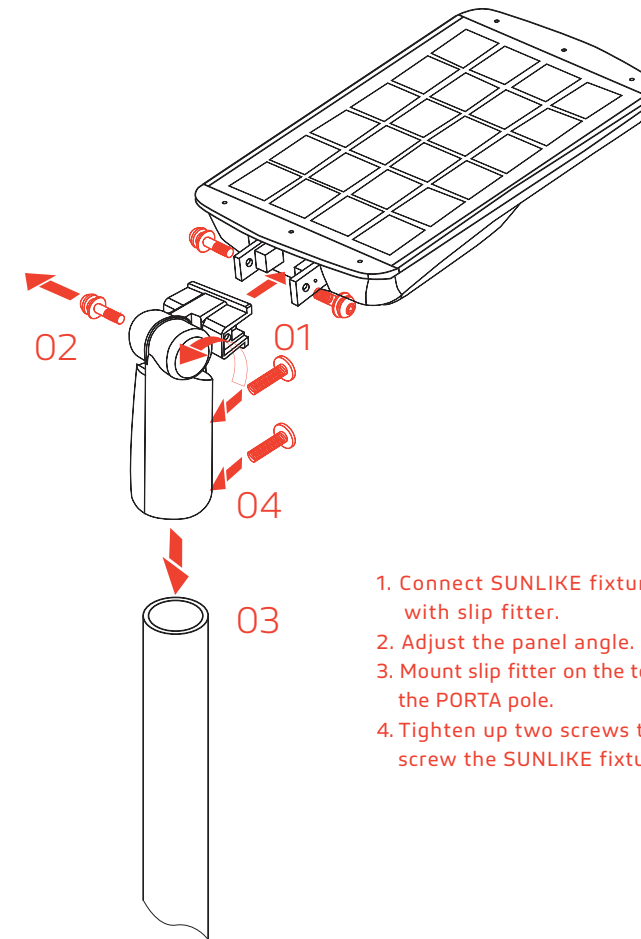
72lbs



150lbs

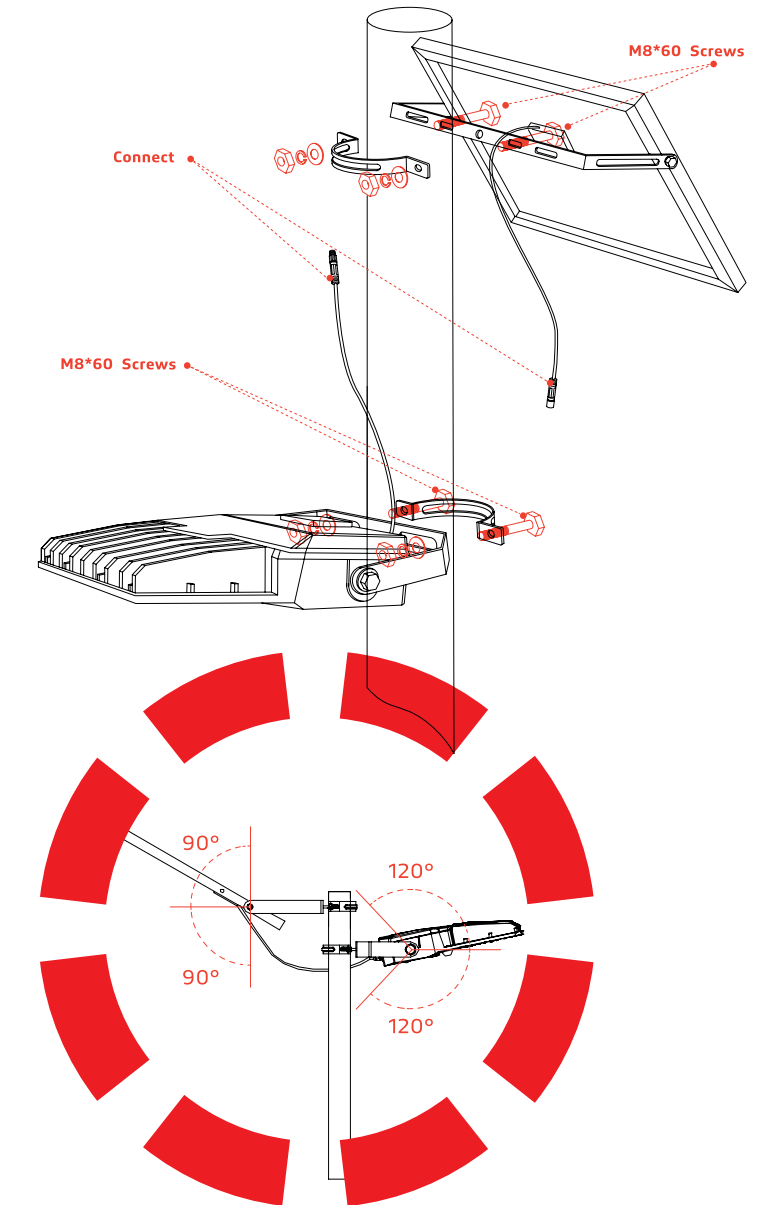


## 02. SUNLIKE Fixtures Installation



1. Connect SUNLIKE fixture with slip fitter.
2. Adjust the panel angle.
3. Mount slip fitter on the top of the PORTA pole.
4. Tighten up two screws to screw the SUNLIKE fixture.

## 03. FLUX Fixtures Installation



**First, mount the solar panel to the pole:**

1. Use the screw kit to secure the pole mount base and the solar panel bracket to the pole.
2. Then attach the solar panel to the bracket.

**Then, mount the fixture:**

3. Attach the bracket to the fixture.
4. Use the screw kit to secure the fixture bracket to the pole mount base on the pole.
5. Connect the light and solar panel cables.