

**THE IDEAL
MOBILE
SOLAR SOLUTION
FOR
TEMPORARY
OUTDOOR
LIGHTING.**



TEMPO Mobile Solar Light Tower

TEMPO mobile solar light tower provides versatile temporary lighting that is ideal for construction sites, natural disasters, and mining operations. The heads can be assembled with SUNLIKE 30W and SUNLIKE PRO 30W. TEMPO light tower can be easily transported from location to location. provides versatile temporary lighting. Clients can adjust the pole height by rotate the handle of the winch on the tower body. The maximum height of the TEMPO light tower pole is 13ft. It can cover most of the temporary lighting needs.

For more information, please visit our website:
www.super-empower.com



"WE EMPOWER WATT MATTERS"



ABOUT OUR TEMPO

TEMPO Mobile Solar Light Tower

THE IDEAL MOBILE SOLAR SOLUTION FOR TEMPORARY OUTDOOR LIGHTING.

The TEMPO mobile solar light tower is the ideal solution for temporary outdoor solar lighting. When combined with the SUNLIKE 20W/30W or SUNLIKE PRO 30W, the TEMPO light tower can be easily transported from location to location, without trenching, cabling, electricity, nor diesel fuel costs.



Flexible Light Distribution Range

- Collapsed height of 7 ft (2m)
- Maximum of 15ft tall, providing a range of light distributions



Heavy Duty Construction

- Steel mast, 3 sections, 15ft maximum
- Manual winch for up to 1500 lbs



Clean, Quiet & Environmental Friendly

- No toxic generator exhaust
- Quiet and produce no fumes
- Ideal alternative to diesel or gas generator-powered light tower



Greater Cost Savings

- Eliminates trenching, cabling, electricity, and diesel fuel costs.



Easy To Install and Transport

- Forklift pockets, base 40 in x 40 in (standard pallet-size)
- 4 manual stabilizer legs



High Quality Construction

- Powder-coated base, painted high-visibility orange
- SUNLIKE mounting hardware included
- Provides a wider illumination area at 16ft max height (including fixture)



6,000 | 12,000 LUMEN

Lighting Fixture Options

- SUNLIKE PRO 30W X 1
6,000 Lumen
- SUNLIKE PRO 30W X 2
12,000 Lumen
- SUNLIKE 30W X 1
6,000 Lumen
- SUNLIKE 30W X 2
12,000 Lumen

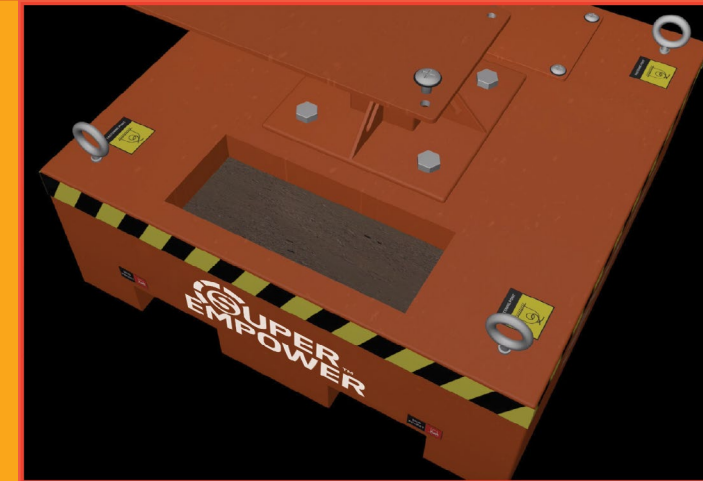
(Solar Fixture Not Include)



TEMPO SOLAR MOBILE LIGHT TOWER

UP TO 2X30W, 12,000 Lumen

SAND-WEIGHTED STEEL BUILD



Base Weight: 770lb (Without Sand)
 Maximum Sand Capacity:
 1/3 of cubic yard of sand=800lbs sand
 Max Wind Speed: 90mph

FORKLIFT TRANSPORTED



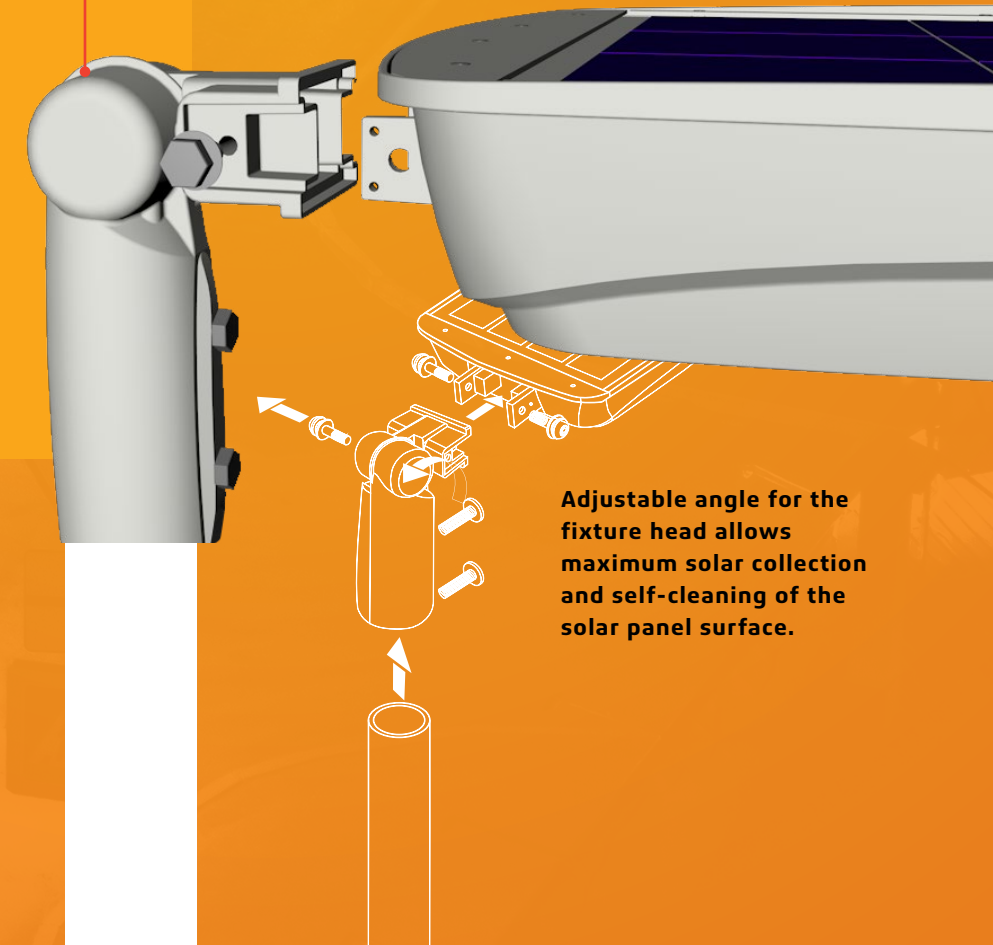
TEMPO INTRODUCTION VIDEO

Please scan the QR code to access the TEMPO video.



SLIP FITTER

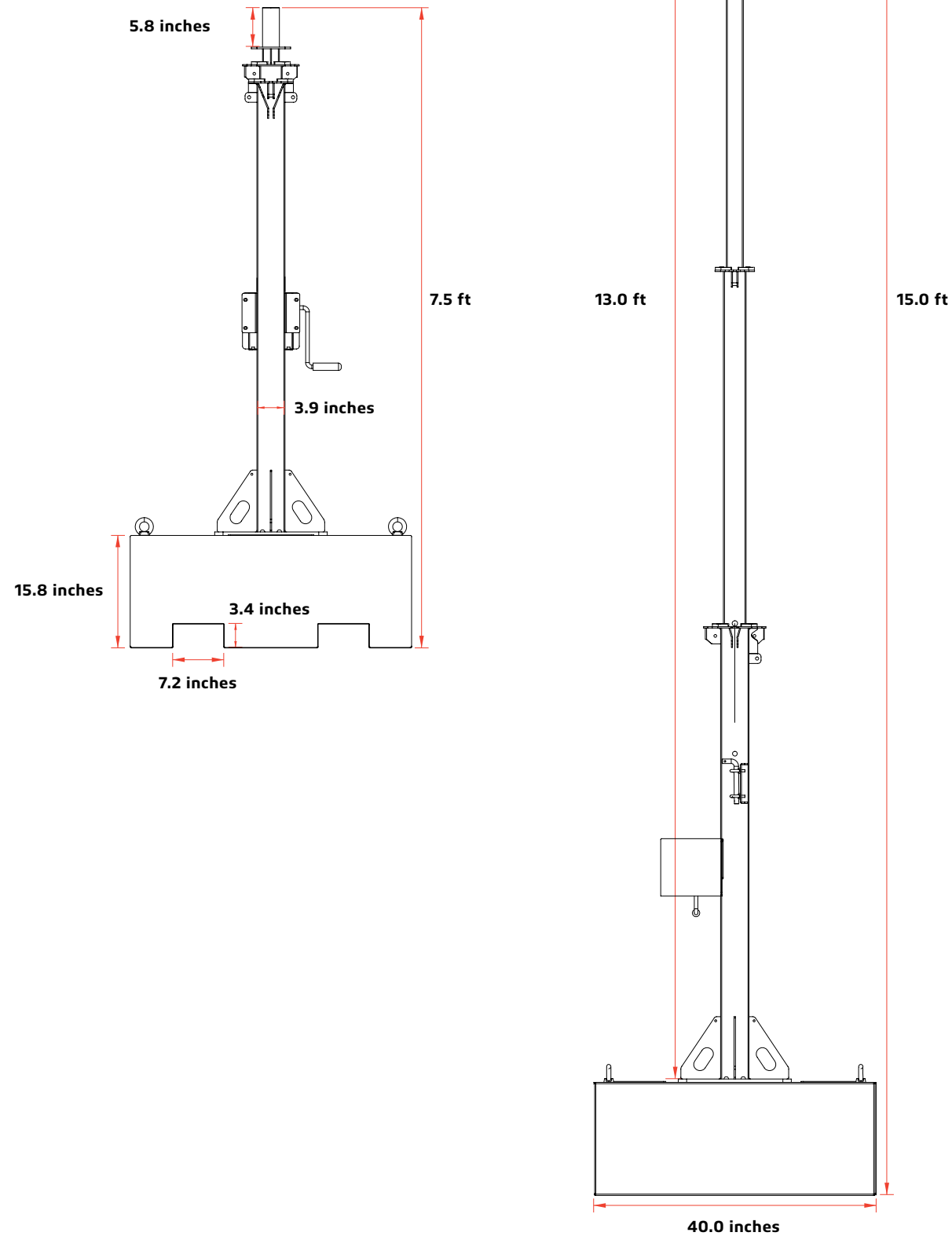
SUNLIKE reduces total cost of ownership, and delivers high performance. This fully-integrated LED solar area light is designed for both residential and commercial areas, in four different lumen outputs: 6,000lm and 12,000lm. SUNLIKE provides superior quality light over a greater area. The integrated solar array, battery, and LED fixture simplifies mounting, for fast and easy installation. SUNLIKE eliminates trenching, cabling, electricity, and diesel fuel costs.



Adjustable angle for the fixture head allows maximum solar collection and self-cleaning of the solar panel surface.

DIMENSIONAL DRAWINGS

TEMPO Mobile Solar Light Tower



SPECIFICATIONS & PERFORMANCE

TEMPO Mobile Solar Light Tower

Unlike other construction site light towers, TEMPO has a removable mast head for easier storage and transportation. The forklift pocket enables safe and easy lifting, transporting, and placement.

SPECIFICATIONS	TEMPO
MAX HEIGHT	15.0 ft (Without Luminaire)
COLLAPSED HEIGHT	7.5 ft (Without Luminaire)
MAST MATERIAL	Steel
MAST PROFILE	Square
MAST SECTIONS	3
OPERATION	Manual Winch 1500 Lbs
MAST MAX LOAD	110 Lbs
MAX WIND SPEED	90 mph
WARNING STRIPS	Included
LIFT LIMIT STOPPER	Included
LIFTING EYES	X 4
FORK POCKETS	Included
WHEEL	N/A
MAST FLANGE	Removable
WEIGHT	770 Lbs (Without Sand Ballasting and Luminaire)
DIMENSIONS	40.0 inches X 40.0 inches X 90.0 inches (Collapsed Without Luminaire)



LUMINAIRE SPECIFICATIONS

TEMPO Mobile Solar Light Tower

SPECIFICATIONS	SUNLIKE 30W	SUNLIKE PRO 30W
LED NOMINAL POWER	30	30
SOLAR PANEL	18V 52W	18V 52W
BATTERY	384WH 12.8V 30AH LiFePO ₄	320WH 12.8V 25AH Superior
WEIGHT	29.8 Lbs	47.1 Lbs
LUMEN OUTPUT@5000K	6,000	6,000
IP RATING	IP65	IP65
CRI	CRI > 70	CRI > 70
CASTING	ALUMINUM	ALUMINUM
EFFICIENCY@5000K	200 LM/W	200 LM/W
LED CHIP	Lumileds 5050 (215 LM-CR>70)	Lumileds 5050 (215 LM-CR>70)
* CHARGING TIME	7 Hrs	11 Hrs
RUN TIME (@FULL POWER)	10 Hrs	10 Hrs
OPERATION MODE	REMOTE CONTROL AND ONE-KEY SETTING	REMOTE CONTROL AND ONE-KEY SETTING
INSTALLATION HEIGHT	9 to 20 ft	9 to 20 ft
* OPERATING TEMPERATURE	0°C/32°F to 140°F	-30°C/-22°F to 140°F
* CHARGING TEMPERATURE	0°C/32°F to 140°F	-30°C/-22°F to 140°F

* The temperature can impact the battery's charging and normal operation. If your site's temperature is under 32°F, we advise you to use the SUNLIKE PRO model to achieve better lighting results.
 * The solar charge time data is based on 77 degree F ambient temperature with the panel pointed directly at the solar radiation. The standard radiation value is 1000W/m².



PRODUCT NUMBER BUILDER

Example: **STLWR02MSTLSTC0303SFGY**

This means the customer wants a Solar Mobile Tower TEMPO, SUNLIKE 30W, 3000K CCT, Slip Fitter installation, with a Gray finish.

TOWER	FIXTURE					
	SERIES	WATTAGE	OPTIC TYPE	COLOR TEMPERATURE	MOUNTING OPTIONS	FINISH
STLWR02M=TEMPO Solar Mobile Tower	STLSTC=SUNLIKE STLSTCPRO=SUNLIKE PRO	30=30W 6000 Lumens	T2=TYPE II T3=TYPE III T4=TYPE IV	3=3000K 4=4000K 5=5000K 6=5700K	SF=Slip Fitter	GY=Gray
<div style="display: flex; justify-content: space-around; align-items: center;"> <div style="border: 1px solid black; width: 80px; height: 20px;"></div> - <div style="border: 1px solid black; width: 80px; height: 20px;"></div> - <div style="border: 1px solid black; width: 80px; height: 20px;"></div> - <div style="border: 1px solid black; width: 80px; height: 20px;"></div> - <div style="border: 1px solid black; width: 80px; height: 20px;"></div> - <div style="border: 1px solid black; width: 80px; height: 20px;"></div> </div>						

Sample Number: **STLWR02MSTLSTC30T33SFGY**

DO NOT send the sample number directly to our salesperson. Use the information in the chart above to create a model number with the correct series, wattage, temperature, mounting option, and finish for the product that you want.

MOUNTING ACCESSORIES **TEMPO** Mobile Solar Light Tower

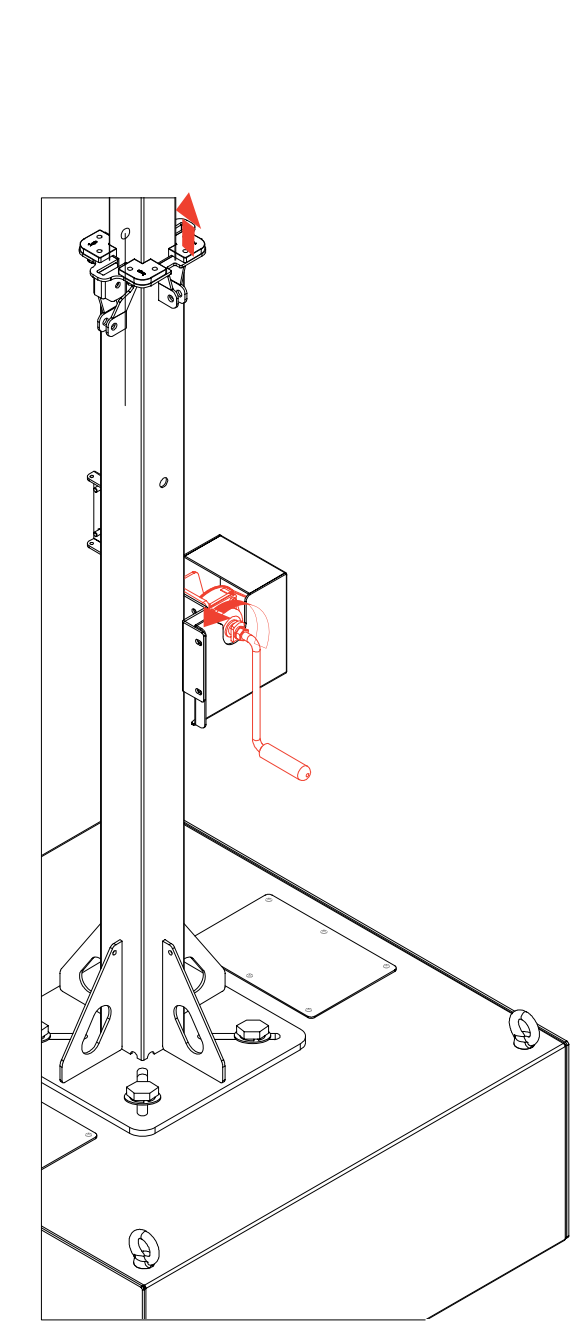
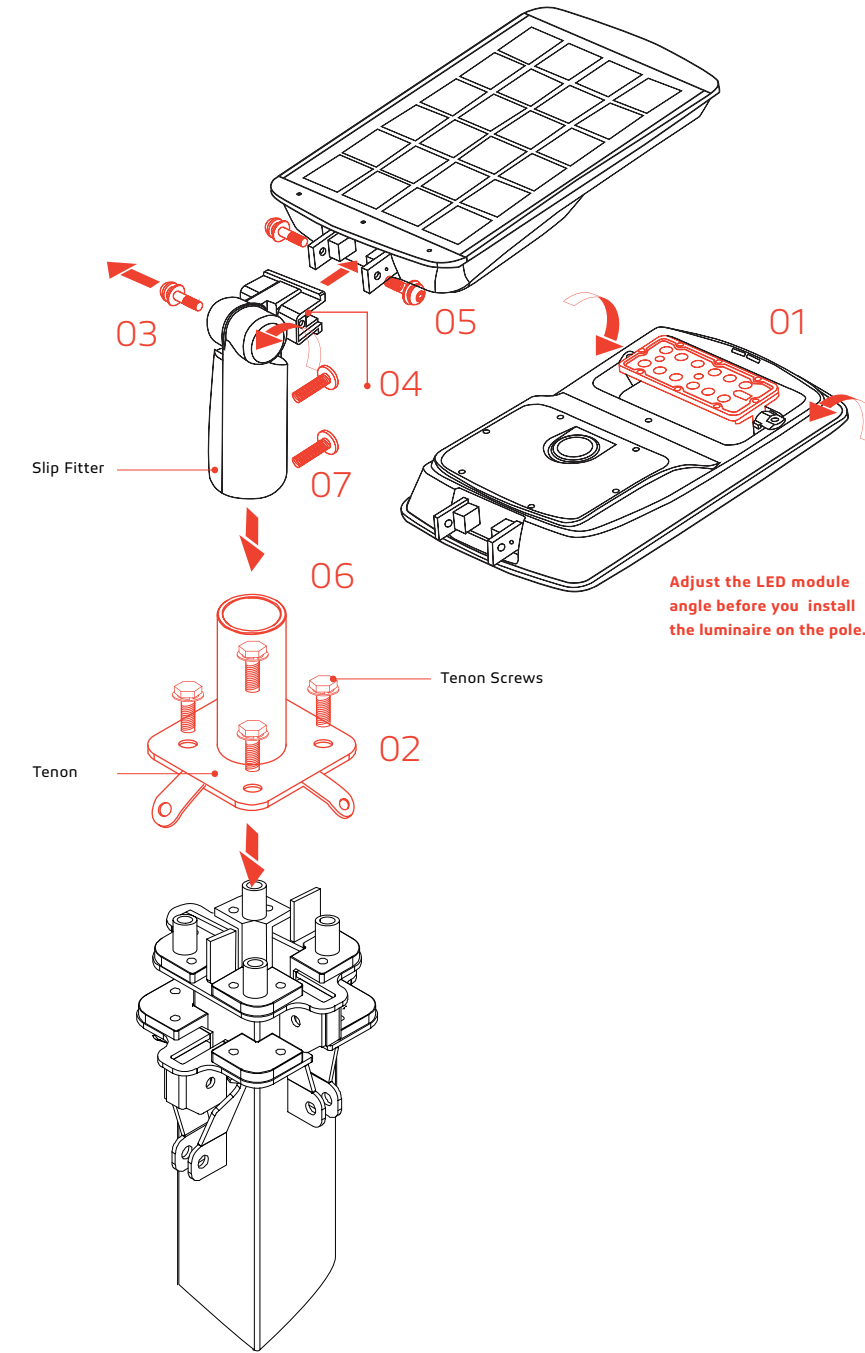
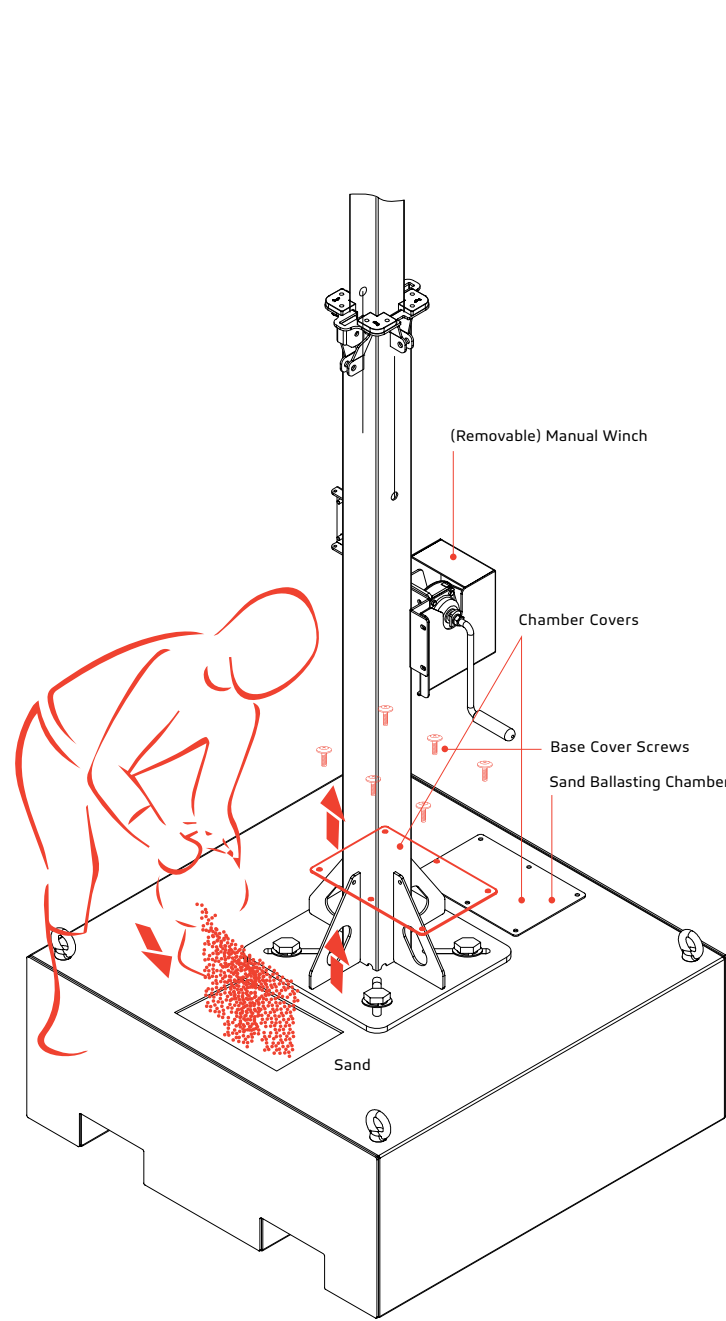
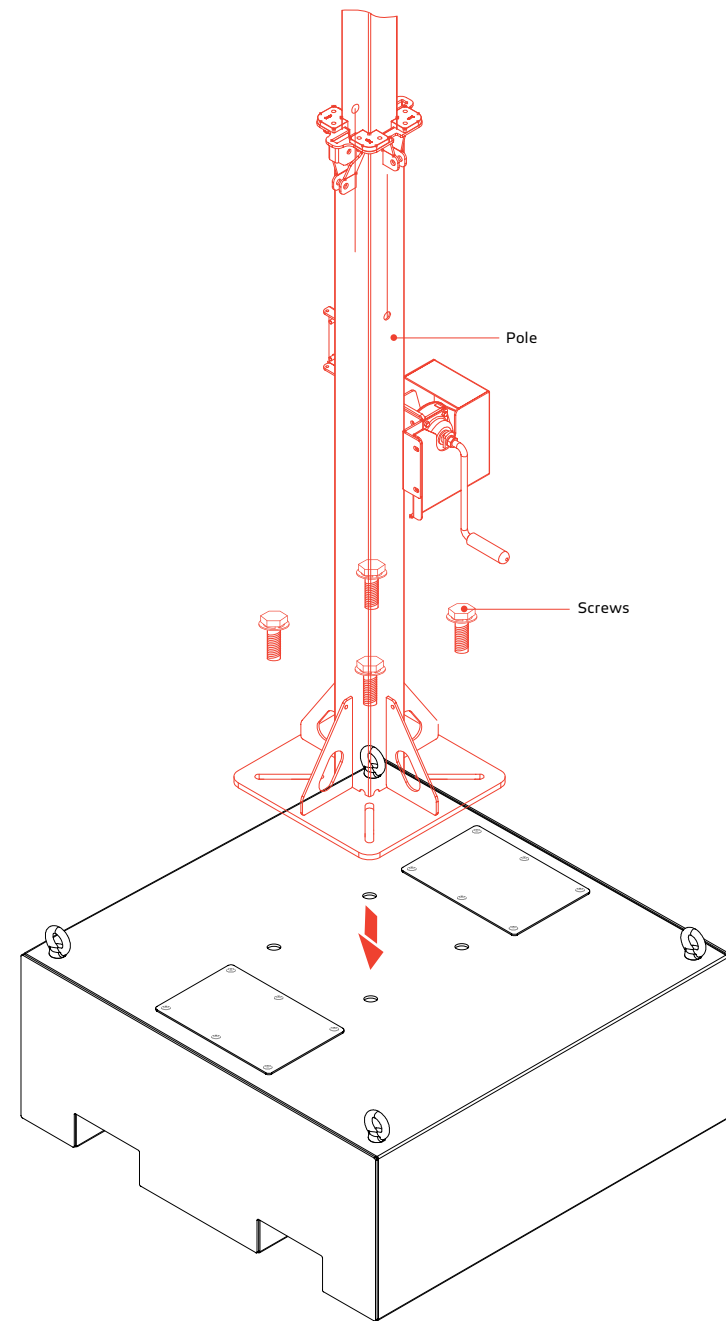


01. Install The Pole

02. Sand Ballasting

03. Install Tenon and Luminaire

04. Adjust The Pole Height



Install the pole on the base with pole screws.

Open the Chamber covers on both sides and put sand in.

Install Tenon and Luminaire on the top of the pole.

Rotate the handle to adjust the height of the pole.