

TEMPO SOLAR LIGHT TOWER



The SUPER EMPOWER® Solar Light Towers provide bright, energy-efficient lighting solutions. Powered by free renewable energy from the sun, in conjunction with heavy-duty LED light fixtures, it can be used in moderate to heavy lighting applications where a diesel, gas, or electric generator-powered light tower is needed.



"WE EMPOWER WATT MATTERS"

OUR
BRANDS



hello@super-empower.com



(510)891-1056



super-empower.com

Copyright©2018-2025 SOLTECH LLC,
All Rights Reserved.



TEMPO Solar Light Tower

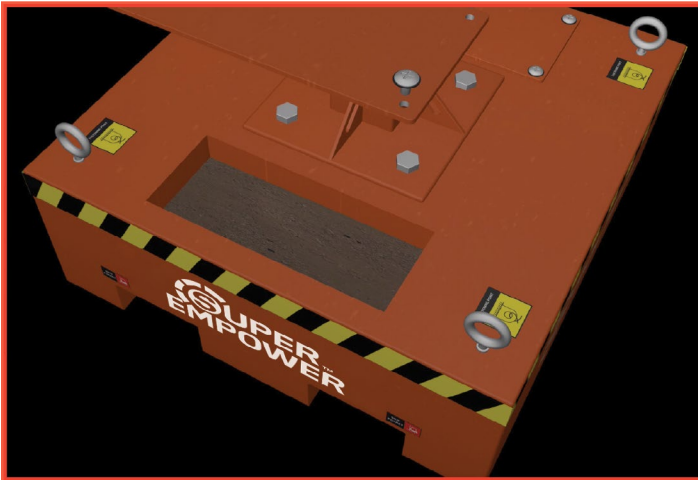
CATALOG		COMMENTS
PROJECT		
PREPARED BY		
DATE		

ABOUT OUR TOWERS

TEMPO mobile solar light tower provides versatile temporary lighting. It's ideal for construction sites, natural disasters, and mining operations. The head can be assembled with SUNLIKE 30W and SUNLIKE PRO 30W. TEMPO light tower can be easily transported from location to location.

Unlike other construction site light towers, TEMPO has removable light head for storage. SUPER EMPOWER® provides solar light fixtures for every application. At 15 feet high, TEMPO creates a wider illumination area that is ideal for parking lots, construction sites, mining camps, events, roadwork, and more.

SAND-WEIGHTED STEEL BUILD



- Base Weight: 770lb (Without Sand)
- Maximum Sand Capacity:
1/3 of cubic yard of sand=800lbs sand
- Max Wind Speed: 90mph

FORKLIFT TRANSPORTED





TEMPO Solar Light Tower

FEATURES

- S Zero Emission with no fuel and electricity bills**
- S Low maintenance with no engine or alternator**
- S Dusk to Dawn functions via photocell**
- S Dimmable LED lights can be individually aimed at different angles**
- S Manual winch rated to 3,000 lbs**
- S 15 foot tower height provides a wider range of illumination area.**
- S 200Lumen/W, up to 3,000 lumens**
- S Forklift pocket, base (39.3 in x 39.3 in, matches a standard pallet)**



Access our website by scanning our QR code

CATALOG		COMMENTS
PROJECT		
PREPARED BY		
DATE		

APPLICATIONS



CONSTRUCTIONS:

Our silent, zero-emission, off-grid portable solar light tower is revolutionizing the construction industry. It illuminates your workplace and provides security with no fuel.



DISASTER RELIEF:

Whenever disasters occur, the ability to quickly source emergency light is critical to save lives and minimize damage.



TRAFFIC:

These high-intensity, vehicle-mounted telescoping light towers provide the illumination needed to complete nighttime rescue, disaster, or investigative operations safely.



MINING:

Light towers are a vital 'backbone' piece of equipment in mining scenarios.



EVENTS:

It has never been easier to stage an event than with the help of light towers to provide security and illumination.



UTILITIES:

Utility organizations can use Solar Light Towers for multiple purposes with no fuel.



TEMPO Solar Light Tower

CATALOG		COMMENTS
PROJECT		
PREPARED BY		
DATE		

SPECIFICATIONS

GENERAL

MODEL	TEMPO
MAX HEIGHT	15 ft
COLLAPSED HEIGHT	6.6 ft (Without Luminaire)
MAST MATERIAL	Steel
MAST PROFILE	Square
MAST SECTIONS	3
OPERATION	Manual Winch 1500 Lbs
MAST MAX LOAD	110 Lbs
MAX WIND SPEED	90 mph
WARNING STRIPS	Included
LIFT LIMIT STOPPER	Included
LIFTING EYES	X4
FORK POCKETS	Included
WHEEL	N/A
MAST FLANGE	Removable
WEIGHT	770 Lbs (Without Sand Ballasting and Luminaire)
DIMENSIONS	40.0 inches X 40.0 inches X 78.7 inches (Collapsed Without Luminaire)



TEMPO Solar Light Tower

CATALOG		COMMENTS
PROJECT		
PREPARED BY		
DATE		

FIXTURE

SPECIFICATION	SUNLIKE 30W SUNLIKE PRO 30W
LED NOMINAL POWER	30W
SOLAR PANEL	18V 52W
BATTERY	384WH 12.8V 30AH 320WH 12.8V 25AH Superior Battery
WEIGHT	29.8 lbs 47.1 lbs
LUMEN OUTPUT@5000K	6,000LM
CRI	> 70
LED CHIP	Lumileds 5050 (215lm-CR>70)
EPA@45°	3.7
WATERPROOF RATE	IP65
CASTING	Aluminum
EFFICIENCY@5000K	200 lm/W
* CHARGING TIME	7 Hrs
RUN TIME(@FULL POWER)	10 Hrs
OPERATION MODE	Remote control and One-key Setting
* OPERATING TEMPERATURE	0°C/32°F to 140°F -30°C/-22°F to 140°F
* CHARGING TEMPERATURE	0°C/32°F to 140°F -30°C/-22°F to 140°F

* The temperature can impact the battery's charging and normal operation. If your place's temperature is under 32°F, we advise you to use the SUNLIKE PRO version to achieve better lighting results.

* The solar charge time data is based on 77 degree F ambient temperature with the panel pointed directly at the solar radiation. The standard radiation value is 1000W/m².



Access our website by scanning our QR code



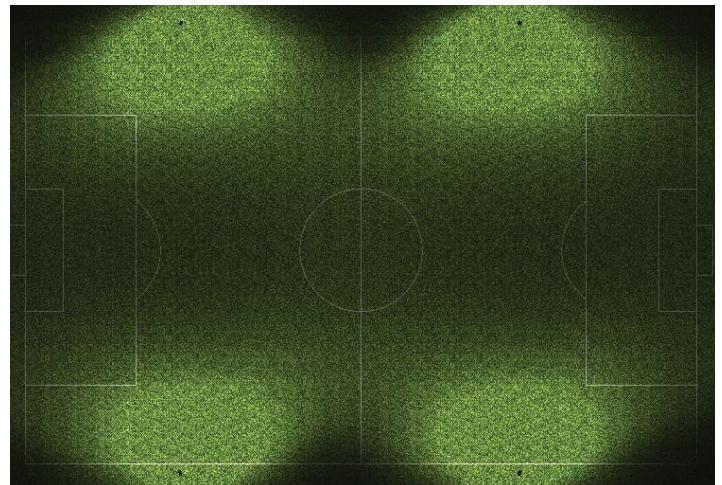
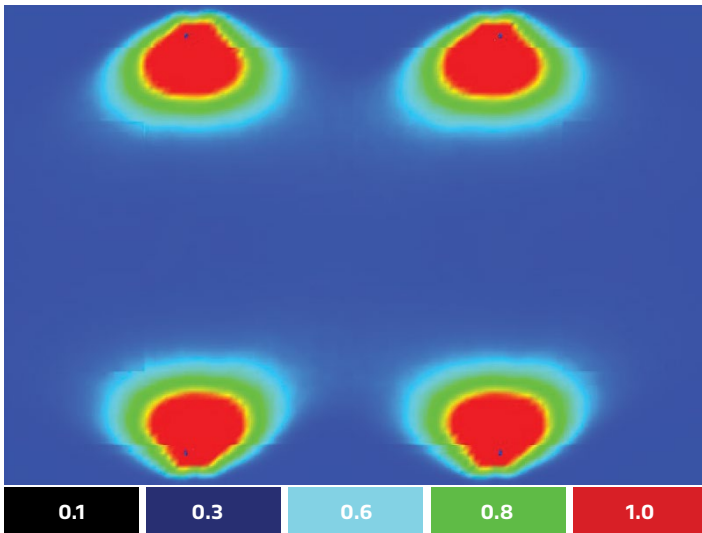
TEMPO Solar Light Tower

CATALOG		COMMENTS
PROJECT		
PREPARED BY		
DATE		

LIGHTING PERFORMANCE

LIGHT	Four Light Towers on a Regulation Soccer Field
LIGHT HEIGHT	15 ft.
LIGHTING AREA	380 X 260 ft.
TOTAL ACREAGE	2.27 Acre
ILLUMINANCE	0.19 fc Average across entire area at 100% brightness

AVERAGE ILLUMINANCE, FC



Access our website by scanning our QR code



TEMPO Solar Light Tower

CATALOG		COMMENTS
PROJECT		
PREPARED BY		
DATE		

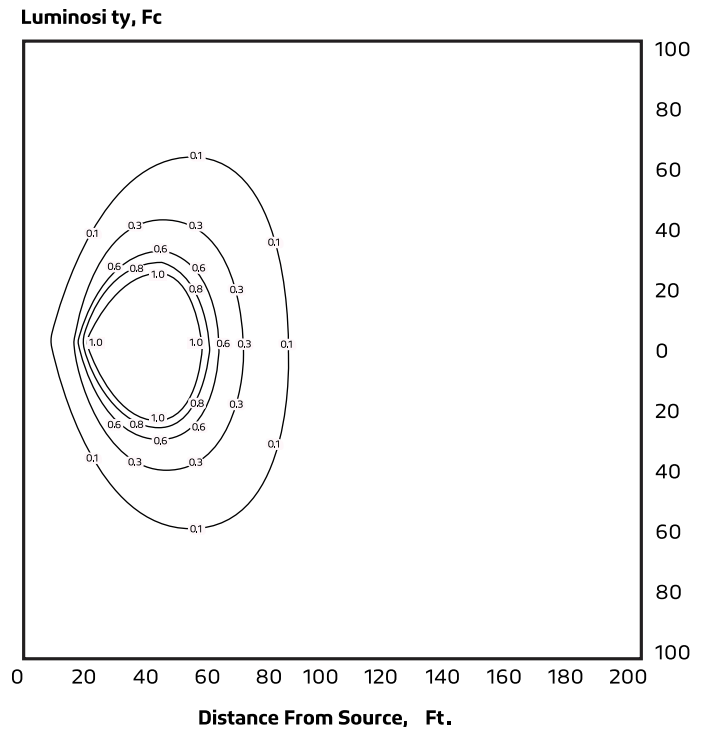
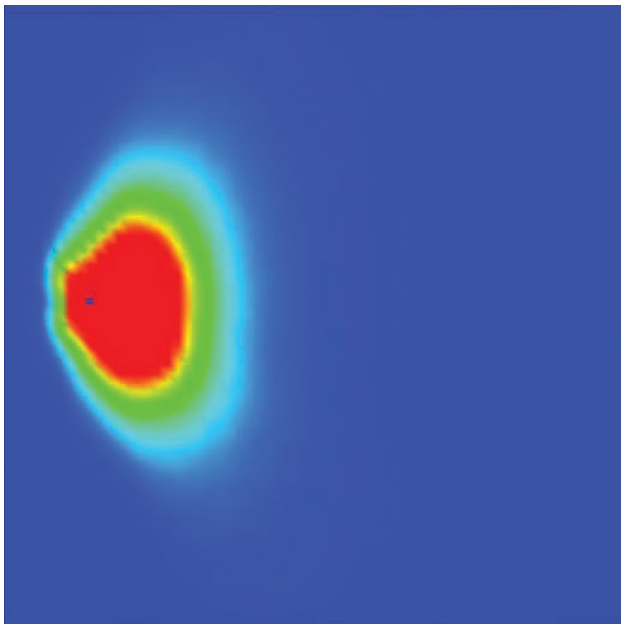
LIGHT Single Light Tower Isolines

LIGHT HEIGHT 15 ft.

LIGHTING AREA 200 X 200 ft.

TOTAL ACREAGE 0.92 Acre

ILLUMINANCE 0.11 fc Average across entire area at 100% brightness



Typical recommended light levels based on Illuminating Engineering Society (IES) documents except where noted:

- General Construction:** 10 fc
- Self-parking:** 1 fc
- Active Industrial Yards:** 5 fc
- Haul Roads:** 0.5 to 1 fc
- Flagger:** 5 fc (per MUTCD)
- Quarries & Pit Mines:** 5 fc



TEMPO Solar Light Tower

CATALOG		COMMENTS
PROJECT		
PREPARED BY		
DATE		

PRODUCT NUMBER BUILDER

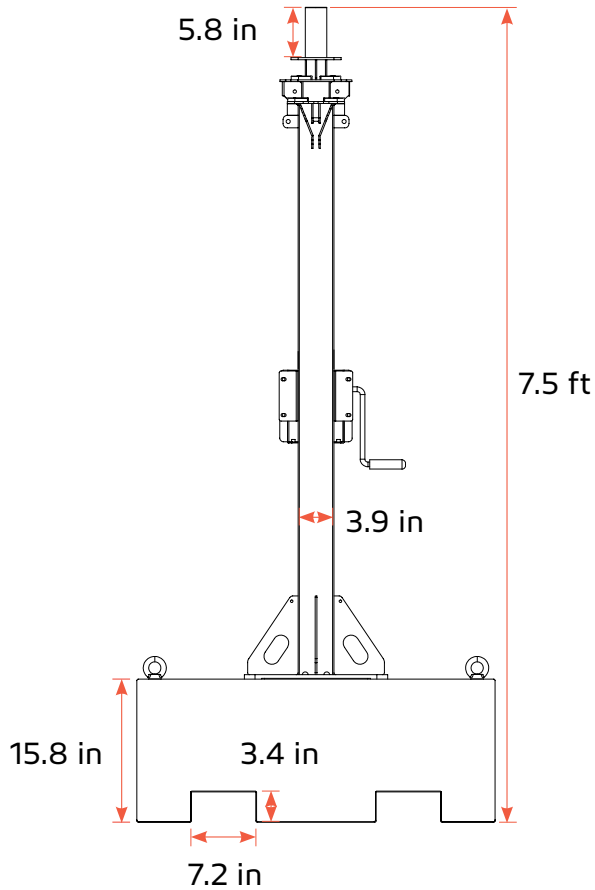
TOWER	FIXTURE					
	SERIES	WATTAGE	OPTIC TYPE	COLOR TEMPERATURE	MOUNTING OPTIONS	FINISH
STLTWR02M=TEMPO Solar Mobile Tower	STLSTC=SUNLIKE	30=30W 6000 Lumens	T2=TYPE II	3=3000K	SF=Slip Fitter	GY=Gray
	STLSTCPRO =SUNLIKE PRO		T3=TYPE III T4=TYPE IV	4=4000K 5=5000K 6=5700K		

- - - - - -

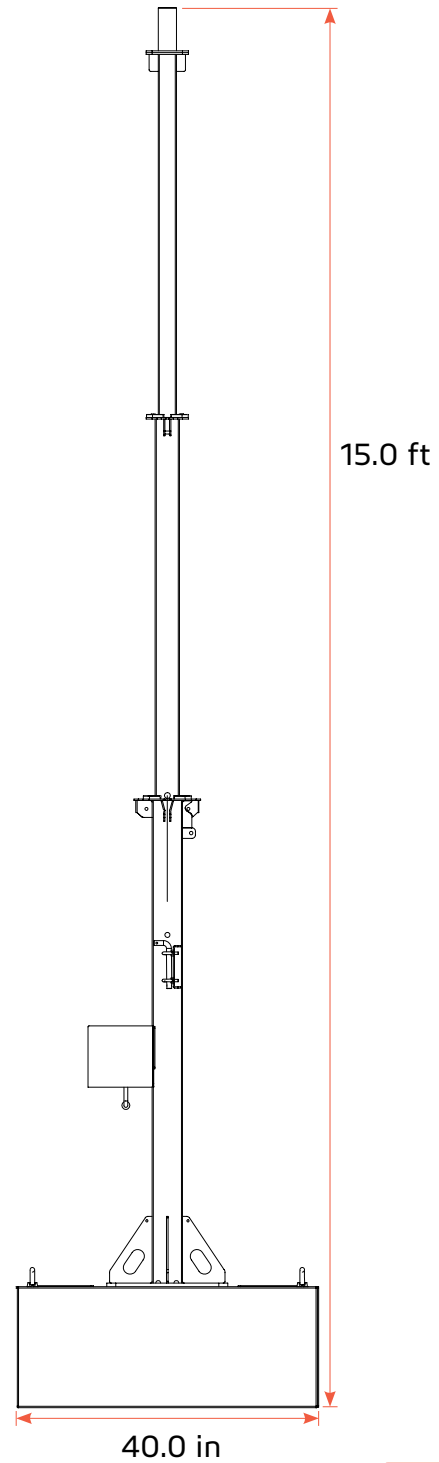


TEMPO Solar Light Tower

PRODUCT SIZE



CATALOG		COMMENTS
PROJECT		
PREPARED BY		
DATE		



All measurements are approximate and for estimation purposes only.

SUPER EMPOWER reserves the right to update all product data sheets at any time. Consult SUPER EMPOWER marketing specialists for publication updates at hello@super-empower.com



Access our website by scanning our QR code

"WE EMPOWER WATT MATTERS"

OUR BRANDS



hello@super-empower.com

(510)891-1056

super-empower.com

Copyright©2018–2025 SOLTECH LLC, All Rights Reserved.