

TWINKO SOLAR LIGHT TOWER



The SUPER EMPOWER® Solar Light Towers provide bright, energy-efficient lighting solutions. Powered by free renewable energy from the sun, in conjunction with heavy-duty LED light fixtures, it can be used in moderate to heavy lighting applications where a diesel, gas, or electric generator-powered light tower is needed.



“WE EMPOWER WATT MATTERS”

OUR
BRANDS



hello@super-empower.com



(510)891-1056



super-empower.com

Copyright©2018–2025 SOLTECH LLC,
All Rights Reserved.



TWINKO Solar Light Tower

CATALOG		COMMENTS
PROJECT		
PREPARED BY		
DATE		

ABOUT OUR TOWERS

TWINKO mobile solar light tower provides versatile temporary lighting. It's ideal for construction sites, natural disasters, and mining operations. The double heads can be assembled with SUNLIKE 30W and SUNLIKE PRO 30W. TWINKO light tower can be easily transported from location to location.

Unlike other construction site light towers, TWINKO has removable double mast heads for storage. SUPER EMPOWER™ provides solar light fixtures for every application. At 15 feet high, TWINKO creates a wider illumination area that is ideal for parking lots, construction sites, mining camps, events, roadwork, and more.





TWINKO Solar Light Tower

FEATURES

- S** Zero Emission with no fuel and electricity bills
- S** Low maintenance with no engine or alternator
- S** Dusk to Dawn functions via photocell
- S** Dimmable LED lights can be individually aimed at different angles
- S** Electrical winch rated to 3,000 lbs with limit sensor, DC 12V
150 AH, 1,500 W integrated gel-battery ensures 120 cycles of raising and lowering the mast, one charge lasts an entire month.
- S** 15 foot tower height provides a wider range of illumination area.
- S** 200Lumen/W, up to 6,000 lumens
- S** Forklift pocket, base (45.2 in x 45.2 in, matches a standard pallet)

CATALOG		COMMENTS
PROJECT		
PREPARED BY		
DATE		

APPLICATIONS

CONSTRUCTIONS:
Our silent, zero-emission, off-grid portable solar light tower is revolutionizing the construction industry. It illuminates your workplace and provides security with no fuel.

DISASTER RELIEF:
Whenever disasters occur, the ability to quickly source emergency light is critical to save lives and minimize damage.

TRAFFIC:
These high-intensity, vehicle-mounted telescoping light towers provide the illumination needed to complete nighttime rescue, disaster, or investigative operations safely.

MINING:
Light towers are a vital 'backbone' piece of equipment in mining scenarios.

EVENTS:
It has never been easier to stage an event than with the help of light towers to provide security and illumination.

UTILITIES:
Utility organizations can use Solar Light Towers for multiple purposes with no fuel.



Access our website by scanning our QR code

TWINKO Solar Light Tower

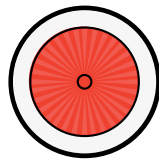
CATALOG		COMMENTS
PROJECT		
PREPARED BY		
DATE		

CONTROL PANELS

- Live working status display
- Button control mast up and down

LOCAL MONITORING AND CONTROL

01. Status Light



STATUS LIGHT

02. Mast Up Button

This is an Electric Mast Operating Safety System. Rise the height of the mast can be adjusted by Pressing the "UP" button.



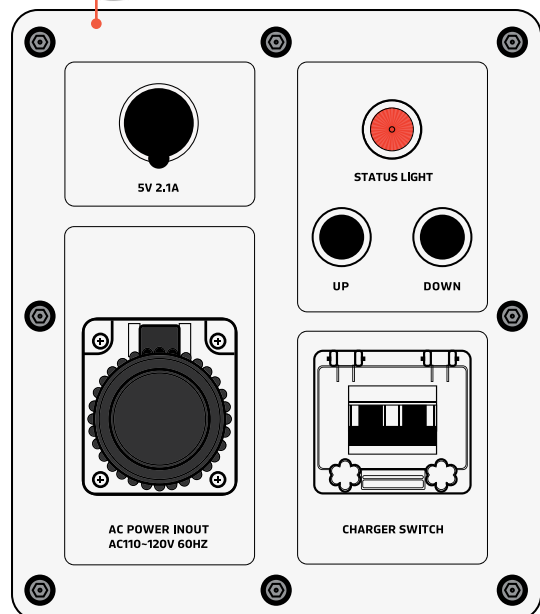
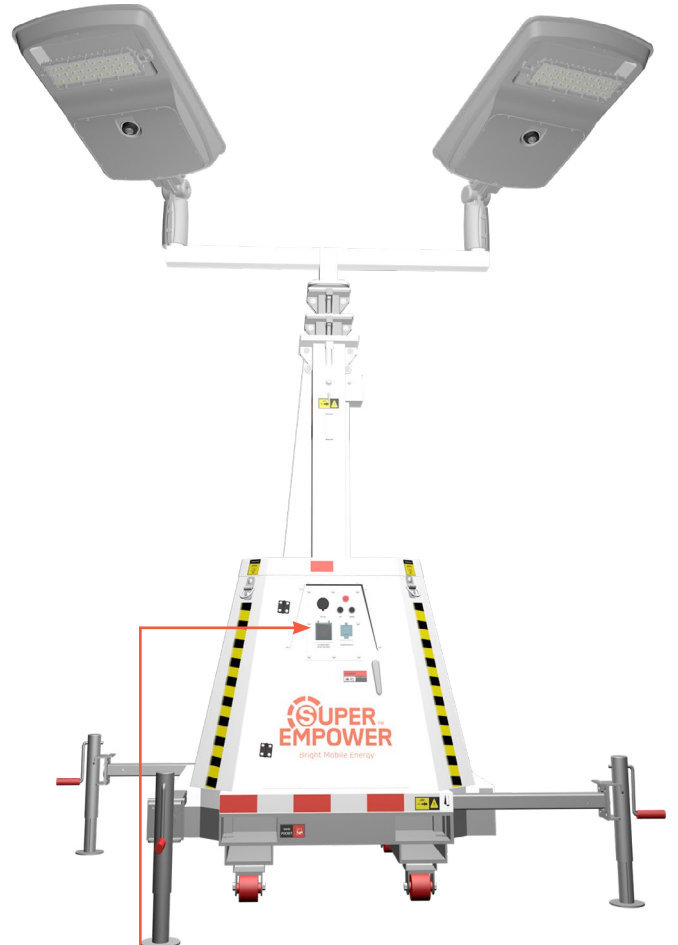
UP

03. Mast Down Button

This is an Electric Mast Operating Safety System. Rise the height of the mast can be adjusted by Pressing the "Down" button.



DOWN

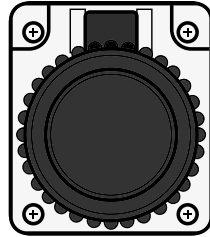


TWINKO Solar Light Tower

CATALOG		COMMENTS
PROJECT		
PREPARED BY		
DATE		

04. AC Power Input

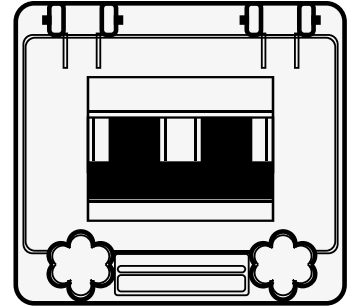
User can charge the tower battery from this socket.
(AC110~120V 60HZ)



**AC POWER INOUT
AC110~120V 60HZ**

05. Charger Switch

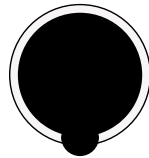
Switch the mode between "Charing" and "Discharging".



**CHARGER
SWITCH**

06. 5V 1.2A USB Socket

5V 1.2A USB power output.



5V 2.1A



Access our website by scanning our QR code



TWINKO Solar Light Tower

CATALOG		COMMENTS
PROJECT		
PREPARED BY		
DATE		

SPECIFICATIONS

GENERAL

MODEL	TWINKO
MAX HEIGHT	15 ft (Without Luminaire)
COLLAPSED HEIGHT	8.3 ft (Without Luminaire)
MAST MATERIAL	Steel
MAST PROFILE	Square
MAST SECTIONS	3
OPERATION	Electric Winch 3000 Lbs, DC12V
BATTERY	GEL DC12V 150AH, 1,200 times Lift and Down Autonomy
CHARGER	1,500W AC 110V Input
MAST MAX LOAD	88 Lbs
MAX WIND SPEED	90 mph
WARNING STRIPS	Included
LIFT LIMIT STOPPER	Included
LIFTING EYES	X4
FORK POCKETS	Included
WHEEL	Included (With Brake)
MAST FLANGE	Included
WEIGHT	1,210 Lbs (Without Luminaire)
DIMENSIONS	45.2 inches X 45.2 inches X 99.6 inches (Collapsed Without Luminaire)



TWINKO Solar Light Tower

CATALOG		COMMENTS
PROJECT		
PREPARED BY		
DATE		

FIXTURE

SPECIFICATION	SUNLIKE 30W SUNLIKE PRO 30W
LED NOMINAL POWER	30W
SOLAR PANEL	18V 52W
BATTERY	384WH 12.8V 30AH 320WH 12.8V 25AH Superior Battery
WEIGHT	29.8 lbs 47.1 lbs
LUMEN OUTPUT@5000K	6,000LM
CRI	> 70
LED CHIP	Lumileds 5050 (215lm-CR>70)
EPA@45°	3.7
WATERPROOF RATE	IP65
CASTING	Aluminum
EFFICIENCY@5000K	200 lm/W
* CHARGING TIME	7 Hrs
RUN TIME(@FULL POWER)	10 Hrs
OPERATION MODE	Remote control and One-key Setting
* OPERATING TEMPERATURE	0°C/32°F to 140°F -30°C/-22°F to 140°F
* CHARGING TEMPERATURE	0°C/32°F to 140°F -30°C/-22°F to 140°F

* The temperature can impact the battery's charging and normal operation. If your place's temperature is under 32°F, we advise you to use the SUNLIKE PRO version to achieve better lighting results.

* The solar charge time data is based on 77 degree F ambient temperature with the panel pointed directly at the solar radiation. The standard radiation value is 1000W/m².



Access our website by scanning our QR code



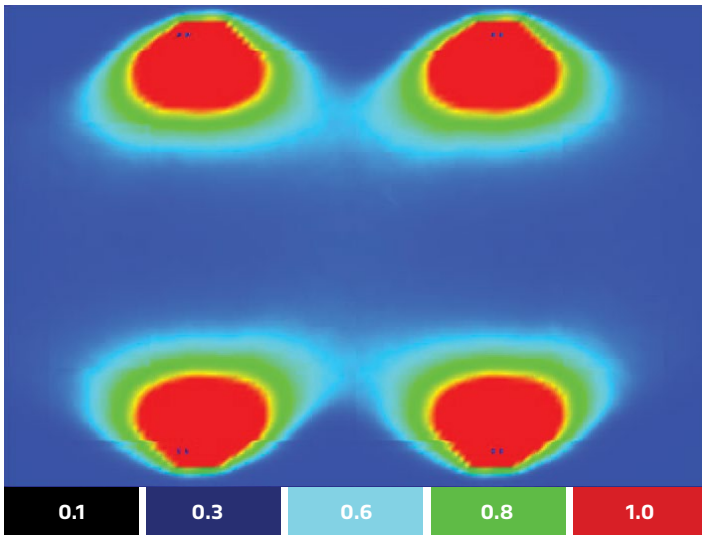
TWINKO Solar Light Tower

CATALOG		COMMENTS
PROJECT		
PREPARED BY		
DATE		

LIGHTING PERFORMANCE

LIGHT	Four Light Towers on a Regulation Soccer Field
LIGHT HEIGHT	15 ft.
LIGHTING AREA	380 X 260 ft.
TOTAL ACREAGE	2.27 Acre
ILLUMINANCE	0.40 fc Average across entire area at 100% brightness

AVERAGE ILLUMINANCE, FC



Access our website by scanning our QR code



TWINKO Solar Light Tower

CATALOG		COMMENTS
PROJECT		
PREPARED BY		
DATE		

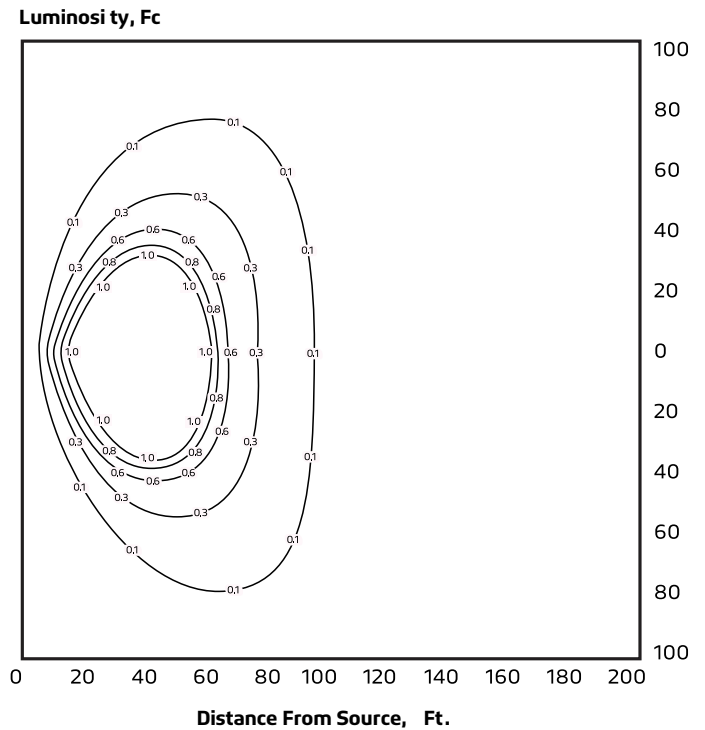
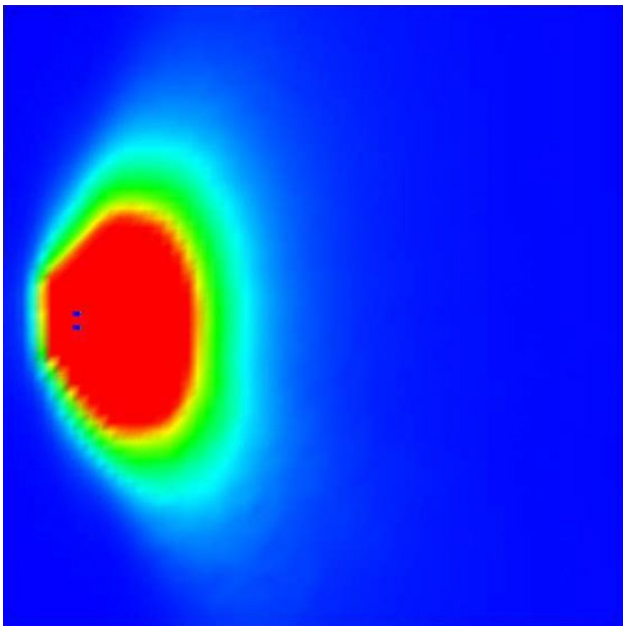
LIGHT Single Light Tower Isolines

LIGHT HEIGHT 15 ft.

LIGHTING AREA 200 X 200 ft.

TOTAL ACREAGE 0.92 Acre

ILLUMINANCE 0.23 fc Average across entire area at 100% brightness



Typical recommended light levels based on Illuminating Engineering Society (IES) documents except where noted:

- General Construction:** 10 fc
- Self-parking:** 1 fc
- Active Industrial Yards:** 5 fc
- Haul Roads:** 0.5 to 1 fc
- Flagger:** 5 fc (per MUTCD)
- Quarries & Pit Mines:** 5 fc



TWINKO Solar Light Tower

CATALOG		COMMENTS
PROJECT		
PREPARED BY		
DATE		

PRODUCT NUMBER BUILDER

TOWER	FIXTURE						
	SERIES	WATTAGE	OPTIC TYPE	COLOR TEMPERATURE	MOUNTING OPTIONS	FINISH	FIXTURES QTY
STLTWR01E=TWINKO Solar Mobile Tower	STLSTC=SUNLIKE STLSTCPRO =SUNLIKE PRO	30=30W 6000 Lumens	T2=TYPE II T3=TYPE III T4=TYPE IV	3=3000K 4=4000K 5=5000K 6=5700K	SF=Slip Fitter	GY=Gray	2=2

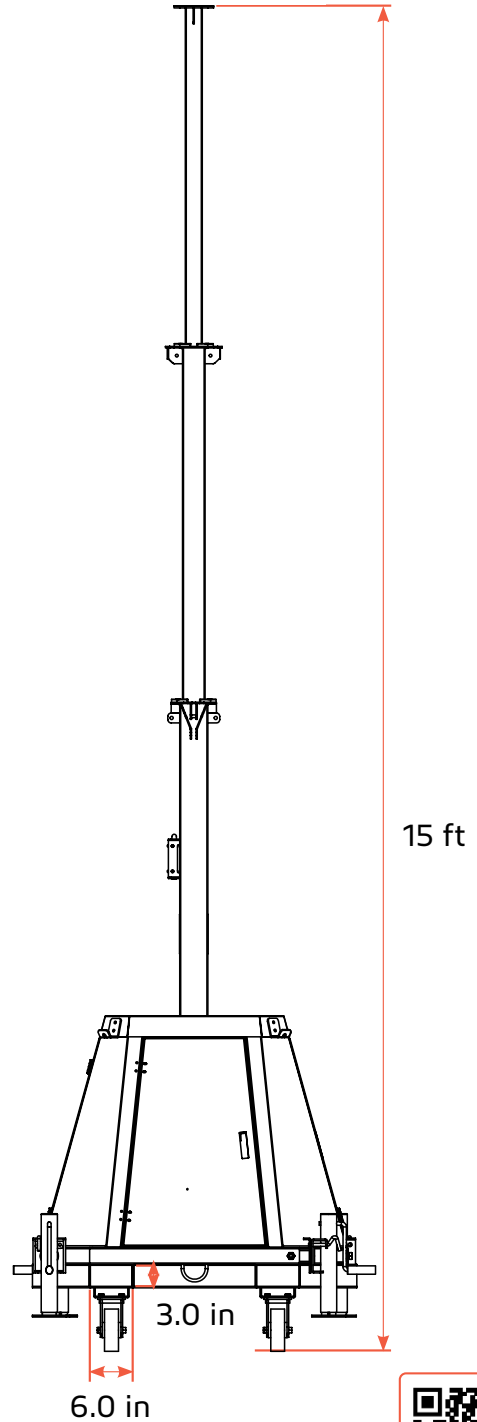
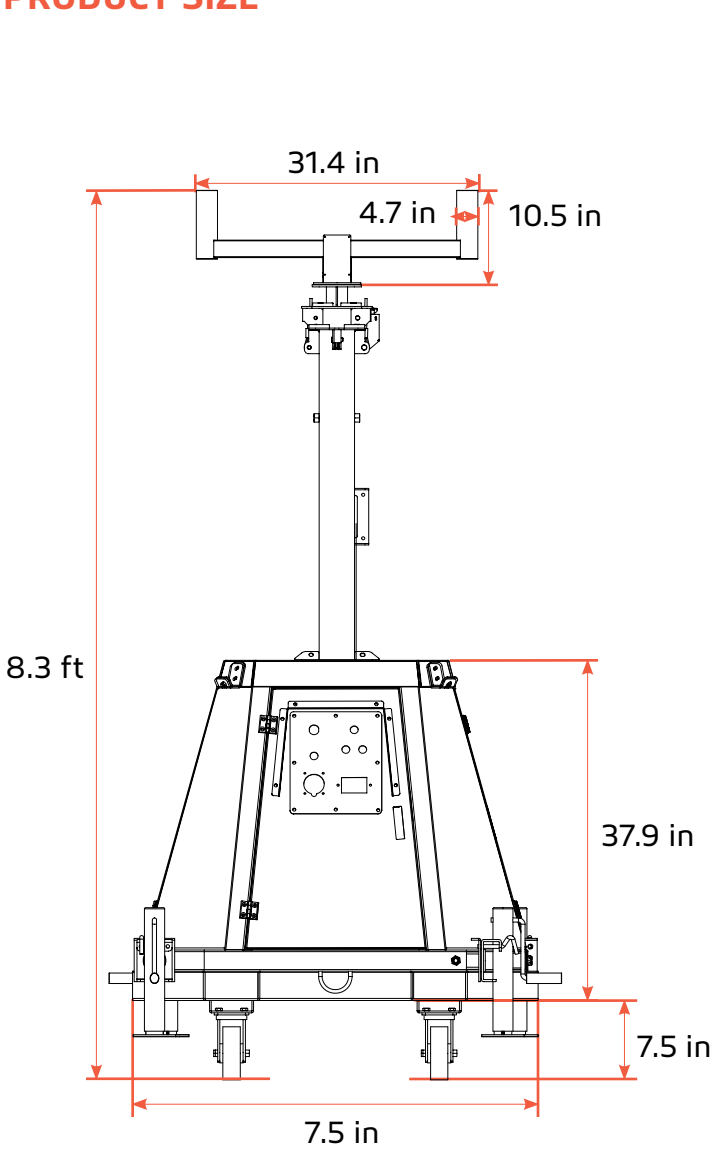
- - - - - - -



TWINKO Solar Light Tower

CATALOG		COMMENTS
PROJECT		
PREPARED BY		
DATE		

PRODUCT SIZE



All measurements are approximate and for estimation purposes only.

SUPER EMPOWER reserves the right to update all product data sheets at any time. Consult SUPER EMPOWER marketing specialists for publication updates at hello@super-empower.com



Access our website by scanning our QR code

"WE EMPOWER WATT MATTERS"

OUR BRANDS



hello@super-empower.com

(510)891-1056

super-empower.com

Copyright©2018–2025 SOLTECH LLC, All Rights Reserved.