

WALLE 6KW MOBILE POWER STATION



The SUPER EMPOWER® WALLE Mobile Power Station reigns supreme in silent, emission-free, off-grid power. It has flexible and silent power for job site tools, lights, sound, camera, and more, handling the power needs of temporary projects of almost any scale.



ANSI/CAN/UL 2743:2023
IEC 62368-1:2018

“WE EMPOWER WATT MATTERS”

OUR
BRANDS



hello@super-empower.com



(510)891-1056



super-empower.com

Copyright©2018–2025 SOLTECH LLC,
All Rights Reserved.



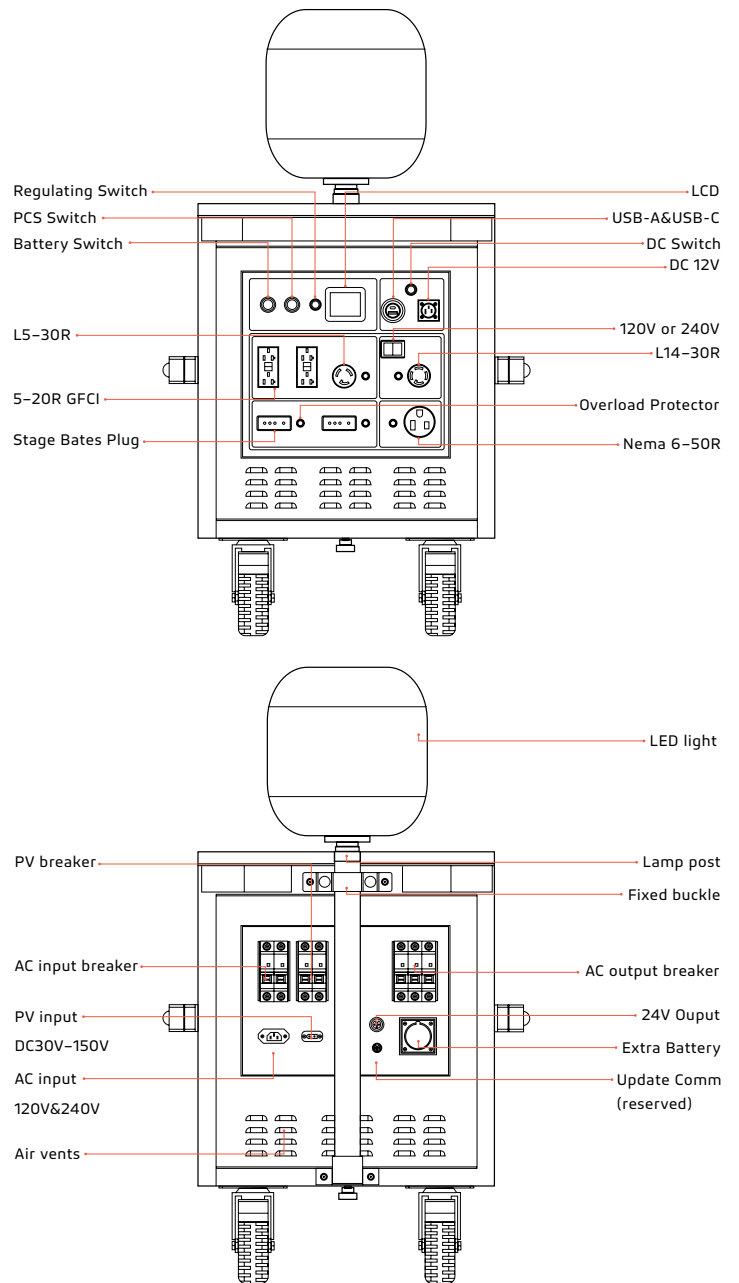
WALLE Mobile Power Station 6KW

CATALOG		COMMENTS
PROJECT		
PREPARED BY		
DATE		

ABOUT OUR WALLE

SUPER EMPOWER® WALLE is a portable battery energy storage system that reigns supreme in silent, emission-free, off-grid power. It has flexible and silent power for electrical tools, lights, sound, camera, and more, handling the power needs of temporary projects of almost any scale.

- Remote Lighting Needs Without The Excess Cabling
- Battery Charging And Device Power Needs
- Power For Small-sized DJ Sets
- Electrical Tools and Equipments





WALLE Mobile Power Station 6KW

FEATURES

- S Quiet operation compared to traditional generators**
- S Reliable performance for temporary projects big and small**
- S Quick setup allows convenient power management**
- S Portable and easy to transport**
- S Clean and green energy ensures a carbon-neutral footprint**
- S LCD user interface**

CATALOG		COMMENTS
PROJECT		
PREPARED BY		
DATE		

APPLICATIONS



CONSTRUCTIONS:

Our silent, zero-emission, off-grid portable solar light tower is revolutionizing the construction industry. It illuminates your workplace and provides security with no fuel.



DISASTER RELIEF:

Whenever disasters occur, the ability to quickly source emergency light is critical to save lives and minimize damage.



TRAFFIC:

These high-intensity, vehicle-mounted telescoping light towers provide the illumination needed to complete nighttime rescue, disaster, or investigative operations safely.



EVENTS:

It has never been easier to stage an event than with the help of light towers to provide security and illumination.



UTILITIES:

Utility organizations can use Solar Light Towers for multiple purposes with no fuel.



Access our website by scanning our QR code



WALLE Mobile Power Station 6KW

CATALOG		COMMENTS
PROJECT		
PREPARED BY		
DATE		

SPECIFICATIONS

GENERAL INFORMATION

POWER FACTOR AT RATED POWER/
ADJUSTABLE DISPLACEMENT 0.99 / 0.8 leading to 0.8 lagging

DIMENSIONS 31.7 X 28.5 X 24.4 IN

WEIGHT 251lb/114Kg

OPERATING TEMPERATURE -10°C/14°F to 55°C/131°F

NOISE EMISSIONS < 50 dB(A)

STANDBY CONSUMPTION < 20 W

COOLING METHOD Fan

INGRESS PROTECTION RATING IP54 (as per IEC 60529)

RELATIVE HUMIDITY 0~95%

MAX. OPERATING ALTITUDE 2000m power derating





WALLE Mobile Power Station 6KW

CATALOG		COMMENTS
PROJECT		
PREPARED BY		
DATE		

SOLAR PANEL

MAX. POWER	3,000W
MAX. VOLTAGE	150V
MPPT VOLTAGE RANGE	30V–150V
MIN. INPUT VOLTAGE	30V
FULL POWER VOLTAGE RANGE	110V–150V
NO. OF MPPT TRACKERS	1
MAX. INPUT PER MPPT TRACKER	30A

BATTERY

BATTERY TYPE	Lithium Battery
BATTERY VOLTAGE	42V–55V
MAX. CHARGING / DISCHARGING CURRENT	150A 200A
RATED. CHARGING / DISCHARGING CURRENT	100A 150A



Access our website by
scanning our QR code



WALLE Mobile Power Station 6KW

CATALOG		COMMENTS
PROJECT		
PREPARED BY		
DATE		

DC OUTPUT

DC 24V OUTPUT	24V@20A
DC 12 OUTPUT	12V@30A
USB-A OUTPUT USB-A	5V@3A 9V@2.5A 12V@2A
USB-C OUTPUT USB-C	5V@3A 9V@3A 12@3A 20V@3A

FIXTURE

LIGHT POWER	60W 120W 160W
-------------	-------------------

AC INPUT

RATED VOLTAGE	120 240V
RATED FREQUENCY	50Hz 60Hz
RATED ACTIVE POWER	1680W@120V 2160W@240V
RATED INPUT CURRENT	14A@120V 9A@240V
MAX. INPUT CURRENT	15A@120V 10A@240V

AC OUTPUT

AC VOLTAGE	120 240V
VOLTAGE RANGE	117V-123V 234V-246V
RATED AC FREQUENCY	50Hz 60Hz
AC FREQUENCY RANGE	50±5Hz 60±5Hz
RATED POWER	6,000W
RATED OUTPUT	25A
MAX. OUTPUT	26A
HARMONICS THDI (@ NOMINAL <5% POWER)	<5%



WALLE Mobile Power Station 6KW

CATALOG		COMMENTS
PROJECT		
PREPARED BY		
DATE		

UPS

OUTPUT VOLTAGE	120V
RATED OUTPUT FREQUENCY	50Hz/60Hz
RATED ACTIVE POWER	1,680W
PEAK ACTIVE OUTPUT POWER	1,800W
RATED CURRENT (@120V)	14A
MAX. OUTPUT	15A
MAX. SWITCH TIME	≤10ms
OUTPUT THDI (@ LINEAR LOAD)	<2%
EFFICIENCY	
MPPT EFFICIENCY	≥99.5%
MAX. BATTERY TO LOAD EFFICIENCY	90%

SAFETY PROTECTION

DC-SIDE DISCONNECTION DEVICE	YES
PV STRING REVERSE POLARITY PROTECTION	YES
AC OUTPUT OVER CURRENT PROTECTION	YES
AC OUTPUT SHORT CIRCUIT CURRENT PROTECTION	YES
AC OVER VOLTAGE PROTECTION	YES
PROTECTION CLASS	I
OVER VOLTAGE CATEGORY	AC: III; DC: II



WALLE Mobile Power Station 6KW

CATALOG		COMMENTS
PROJECT		
PREPARED BY		
DATE		

PRODUCT NUMBER BUILDER

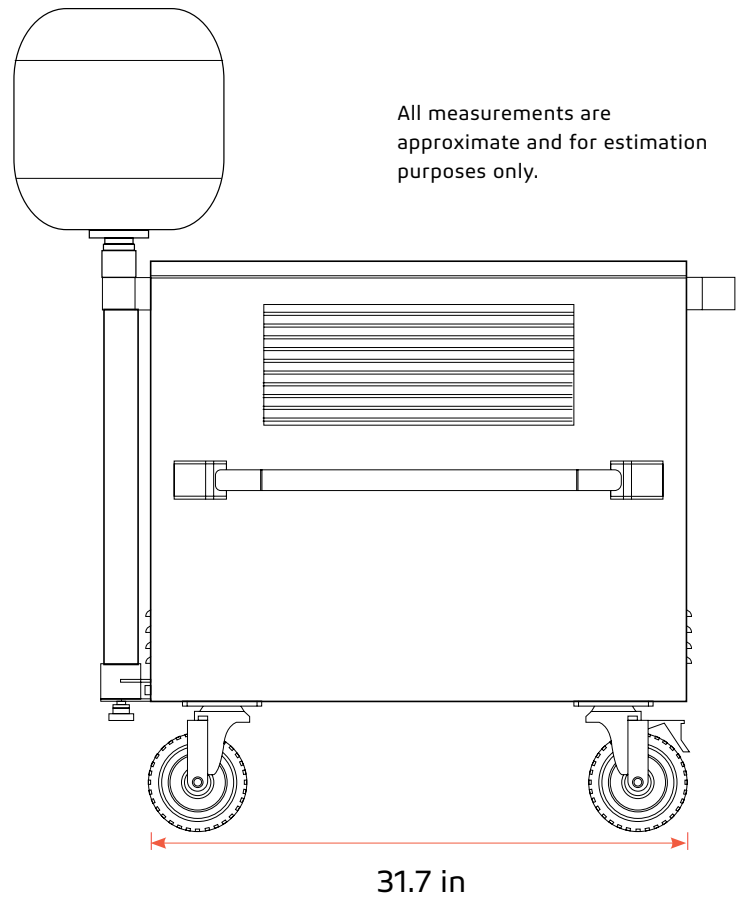
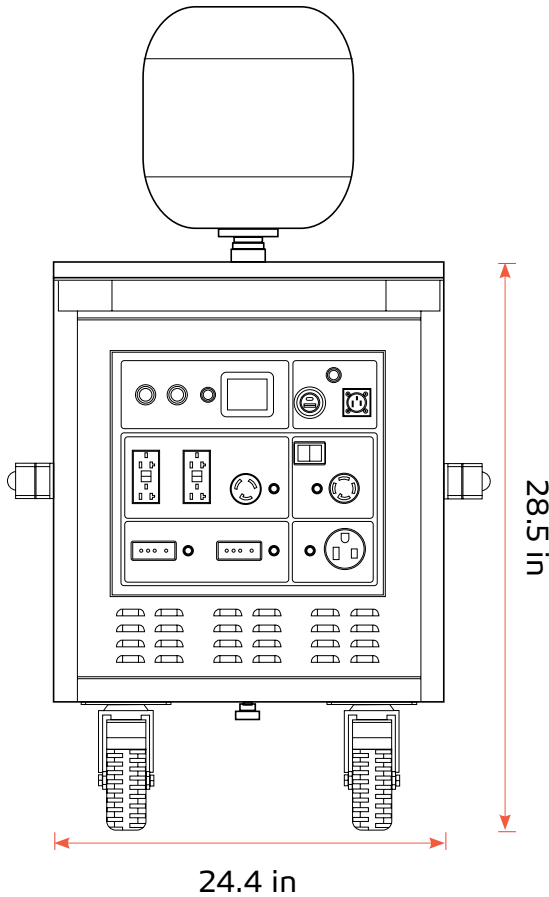
TOWER	POWER
-------	-------

SEWAL=WALLE
Power Station

6K=6KW

-

PRODUCT SIZE



All measurements are approximate and for estimation purposes only.

SUPER EMPOWER reserves the right to update all product data sheets at any time. Consult SUPER EMPOWER marketing specialists for publication updates at hello@super-empower.com



Access our website by scanning our QR code

"WE EMPOWER WATT MATTERS"

OUR BRANDS



hello@super-empower.com

(510)891-1056

super-empower.com

Copyright©2018-2025 SOLTECH LLC, All Rights Reserved.